

Torbeck® Fill Valve 8.5" Bottom Entry

- ▶ Small footprint
- ▶ Easy twist cap for maintenance
- ▶ AG Airgap
- ▶ High performance even at 0.1 bar
- ▶ Tested and manufactured in Hereford, UK

SKU	Thread	Replaces
721U-069-P25	½" brass	NEW!
721U-070-P25	½" plastic	B661-8_5



Torbeck® Fill Valve 9.5" Bottom Entry

- ▶ Small footprint
- ▶ Easy twist cap for maintenance
- ▶ AG Airgap
- ▶ High performance even at 0.1 bar
- ▶ Tested and manufactured in Hereford, UK

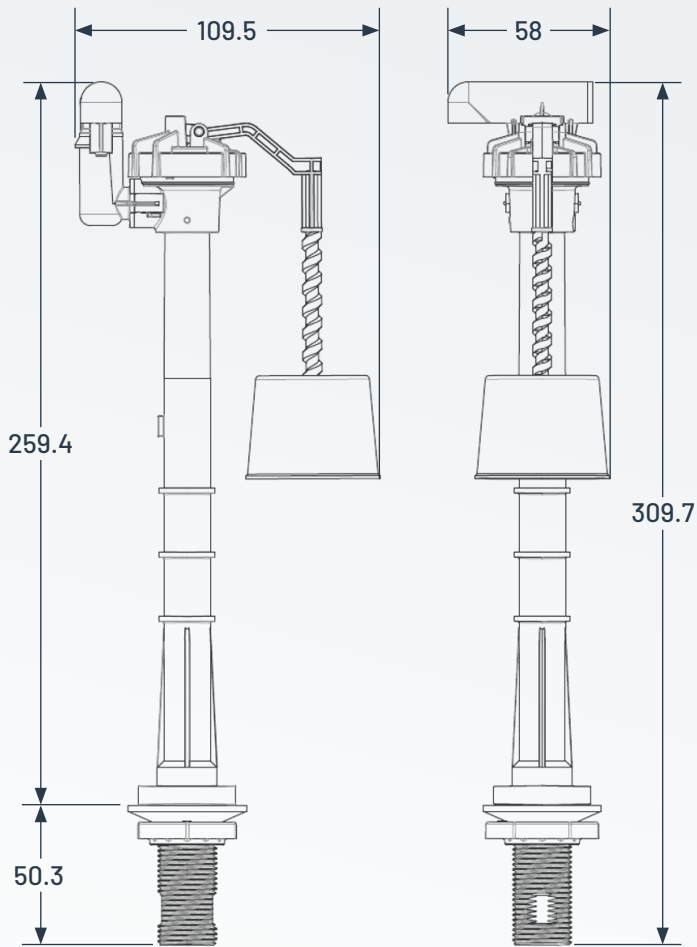
SKU	Thread	Replaces
721U-073-P25	½" brass	NEW!
721U-074-P25	½" plastic	NEW!



Torbeck® Fill Valve

8.5" Bottom Entry

TECHNICAL DATA SHEET



All measurements in mm

- 💧 Bottom Entry WC Fill Valve
- 💧 Height 216mm (8.5")
- 💧 ½" BSP inlet connection (brass or plastic)
- 💧 Controlled flow throughout pressure range to ensure optimum fill and safety factors with pre-fitted restrictor
- 💧 Operating pressure range – minimum 0.1Bar* to maximum 10 Bar
**Restrictor must be removed for gravity fed systems*
- 💧 Water level range 70mm
- 💧 Quiet filling
- 💧 Airgap compliant to AUK1 and Reg 4 as standard
- 💧 Meets requirements of the Water Supply (Water Fittings) Regulations, Byelaws in Scotland, as they apply to Type AG and Type AUK1 air gaps in WC suites and the interim agreement
- 💧 Meets BS1212-4 requirements
- 💧 Small footprint
- 💧 Easy installation and maintenance

SKU	Thread
721U-069-P25	½" brass
721U-070-P25	½" plastic

Installation support

Visit www.fluidmasteruk.com/product_categories/fill-flush or watch our installation videos [here](#).

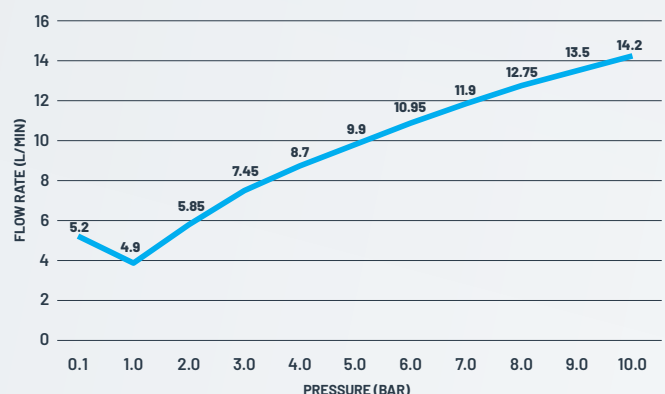
End of life data

Any waste components should be disposed of responsibly and in accordance with local guidelines/facilities.

Product warranty 12 months

The content of this document was correct on the date of issue but changes may have since been made without notice as part of continual product improvement.

8.5" Fixed Height Bottom Entry flow rate - Pressure vs Flow

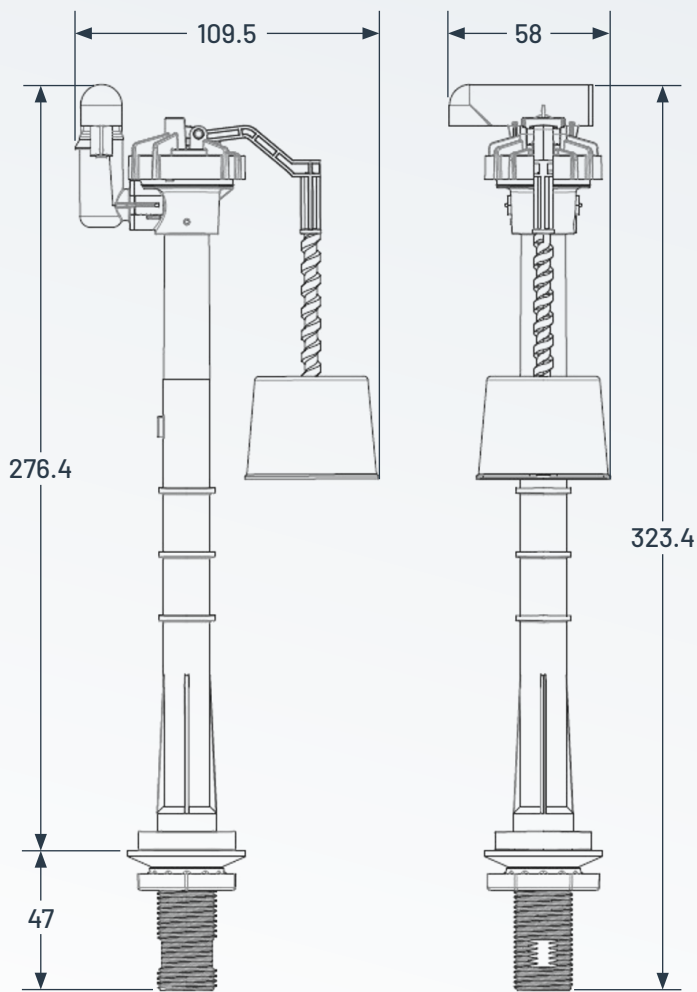


For further information please go to:
www.fluidmasteruk.com

Torbeck® Fill Valve

9.5" Bottom Entry

TECHNICAL DATA SHEET



All measurements in mm

- 💧 Bottom Entry WC Fill Valve
- 💧 Height 240mm (9.5")
- 💧 ½" BSP inlet connection (brass or plastic)
- 💧 Controlled flow throughout pressure range to ensure optimum fill and safety factors with pre-fitted restrictor
- 💧 Operating pressure range – minimum 0.1Bar* to maximum 10 Bar
**Restrictor must be removed for gravity fed systems*
- 💧 Water level range 70mm
- 💧 Quiet filling
- 💧 Airgap compliant to AUK1 and Reg 4 as standard
- 💧 Meets requirements of the Water Supply (Water Fittings) Regulations, Byelaws in Scotland, as they apply to Type AG and Type AUK1 air gaps in WC suites and the interim agreement
- 💧 Meets BS1212-4 requirements
- 💧 Small footprint
- 💧 Easy installation and maintenance

SKU	Thread
721U-073-P25	½" brass
721U-074-P25	½" plastic

Installation support

Visit www.fluidmasteruk.com/product_categories/fill-flush or watch our installation videos [here](#).

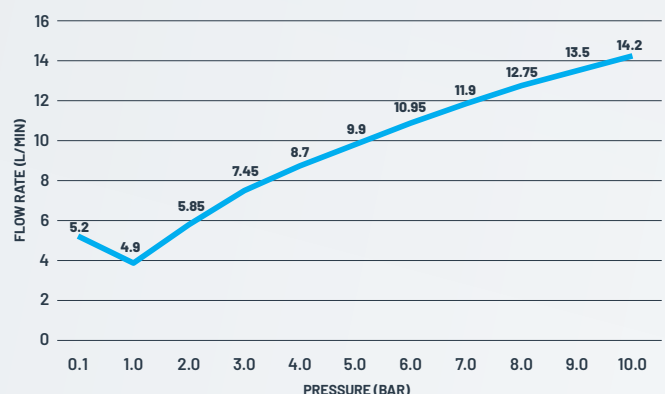
End of life data

Any waste components should be disposed of responsibly and in accordance with local guidelines/facilities.

Product warranty 12 months

The content of this document was correct on the date of issue but changes may have since been made without notice as part of continual product improvement.

9.5" Fixed Height Bottom Entry flow rate - Pressure vs Flow



For further information please go to:
www.fluidmasteruk.com