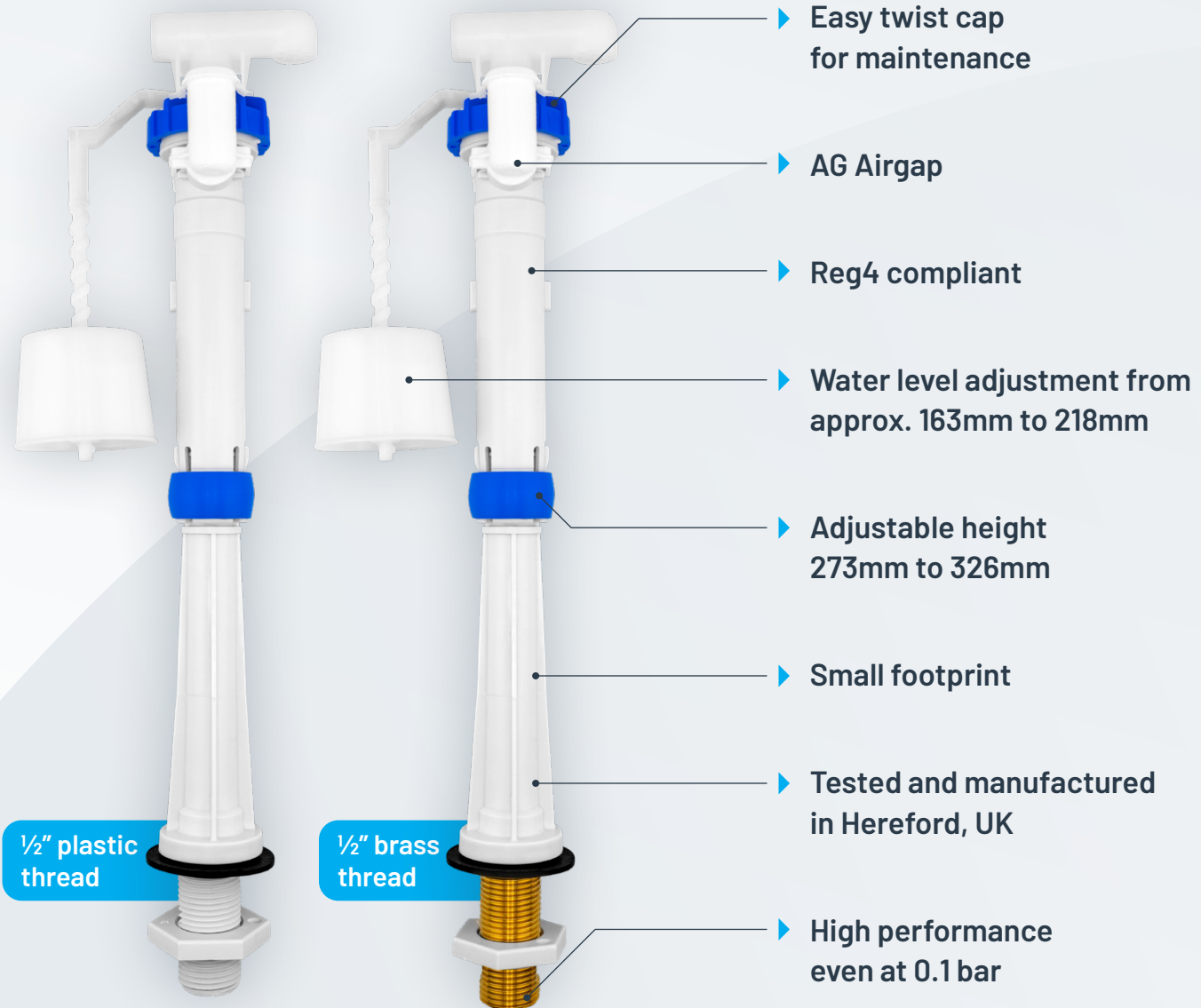


Torbeck® Fill Valve

Height Adjustable Bottom Entry



SKU	Thread	Replaces
722U-067-P25	1/2" brass	B661AT1_2B
722U-068-P25	1/2" plastic	B661AT, B671AC, B661AT_NY811B

For further information about this product please see the technical data sheet or visit www.fluidmasteruk.com

The content of this document was correct on the date of issue but changes may have since been made without notice as part of continual product improvement.

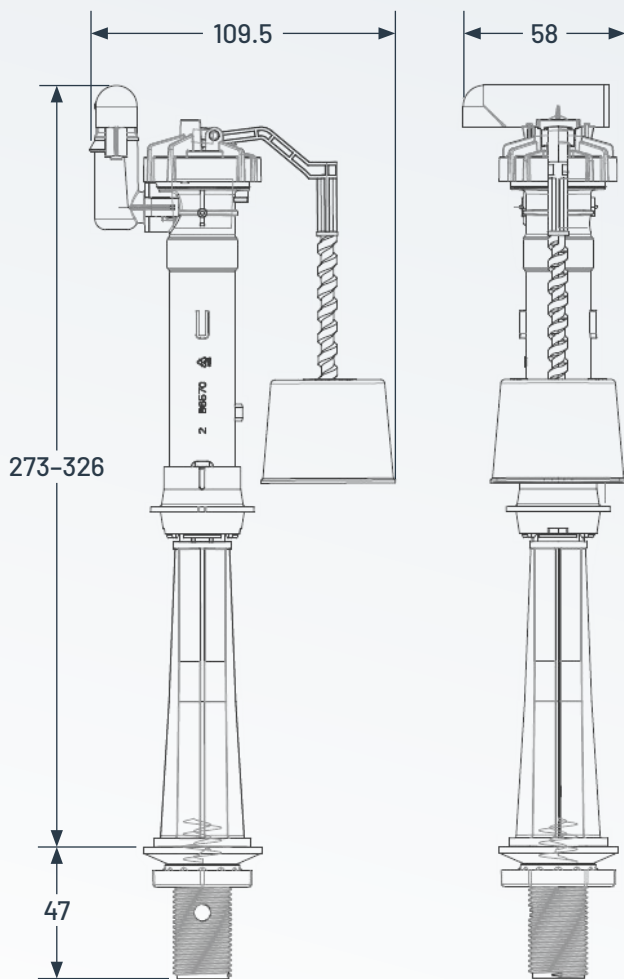


Our new and improved valve replaces the previous model shown here.

Torbeck® Fill Valve

Height Adjustable Bottom Entry

TECHNICAL DATA SHEET



All measurements in mm

SKU	Thread
722U-067-P25	½" brass
722U-068-P25	½" plastic

Installation support

Visit www.fluidmasteruk.com/product_categories/fill-flush or watch our installation videos [here](#).

End of life data

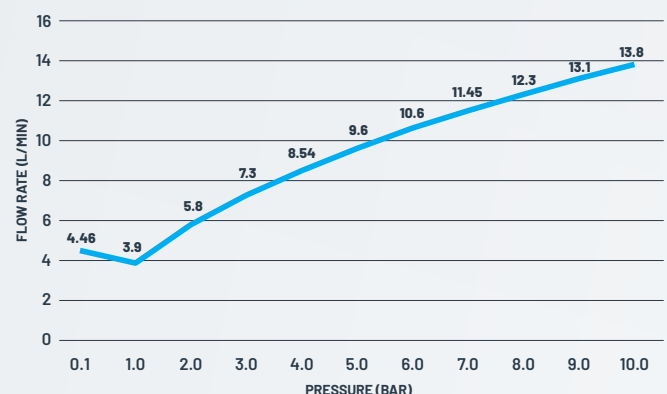
Any waste components should be disposed of responsibly and in accordance with local guidelines/facilities.

Product warranty 12 months

The content of this document was correct on the date of issue but changes may have since been made without notice as part of continual product improvement.

- 💧 Bottom Entry WC Fill Valve
- 💧 Height from 273mm to 326mm
- 💧 Water level range 70mm
- 💧 Height adjustment of 53mm
- 💧 ½" BSP inlet connection (brass or plastic)
- 💧 Controlled flow throughout pressure range to ensure optimum fill and safety factors with pre-fitted restrictor
- 💧 Operating pressure range – minimum 0.1Bar* to maximum 10 Bar
**Restrictor must be removed for gravity fed systems*
- 💧 Quiet filling
- 💧 Airgap compliant to AUK1 and Reg 4 as standard
- 💧 Meets requirements of the Water Supply (Water Fittings) Regulations, Byelaws in Scotland, as they apply to Type AG and Type AUK1 air gaps in WC suites and the interim agreement
- 💧 Meets BS1212-4 requirements
- 💧 Small footprint
- 💧 Easy installation and maintenance

Height Adjustable Bottom Entry flow rate – Pressure vs Flow



For further information please go to:
www.fluidmasteruk.com