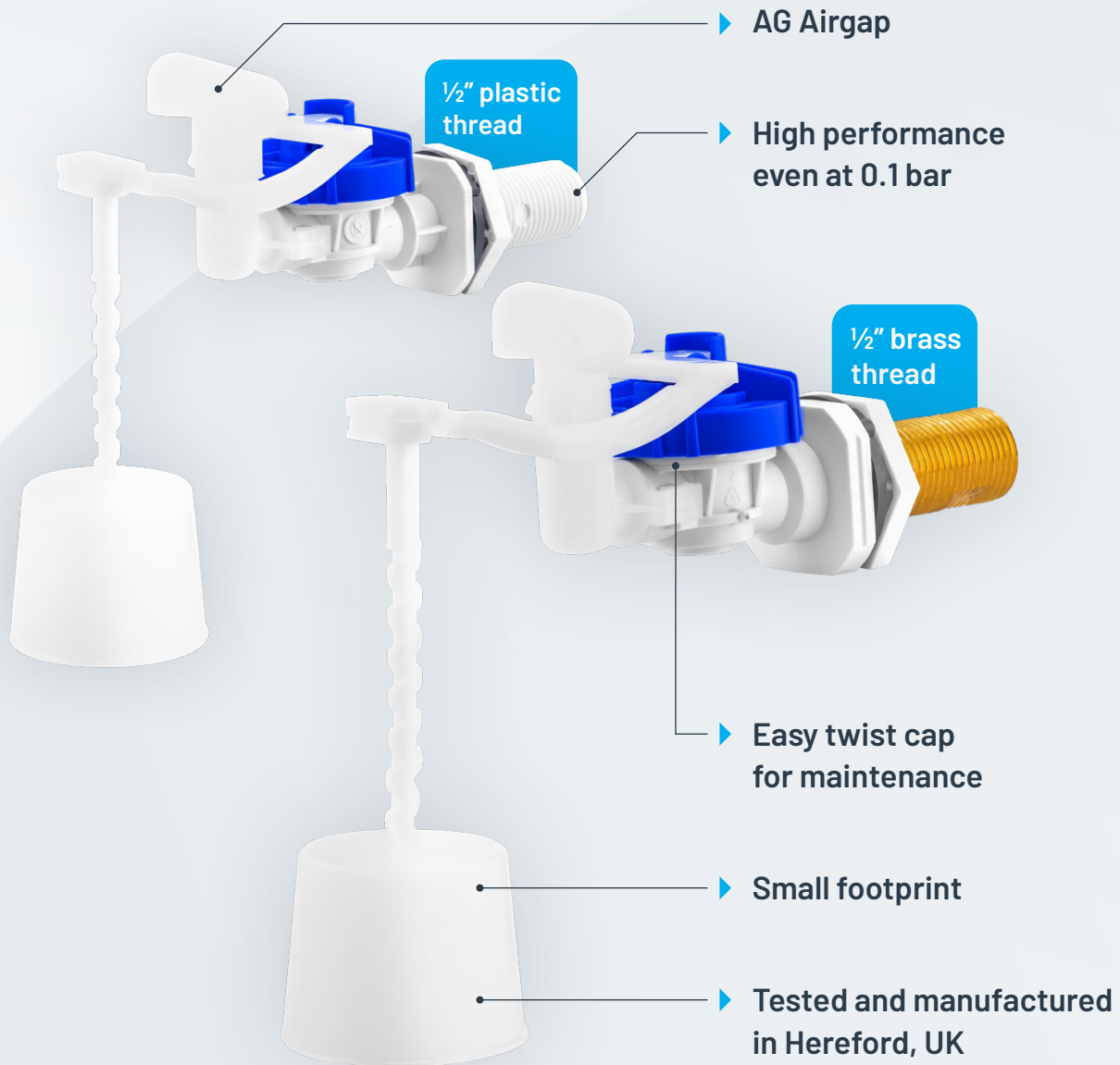


# Torbeck® Fill Valve Side Entry



SKU	Thread	Replaces
720U-071-P25	1/2" brass	B610-1_2B
720U-072-P25	1/2" plastic	B610, B670

For further information about this product please see the technical data sheet or visit [www.fluidmasteruk.com](http://www.fluidmasteruk.com)

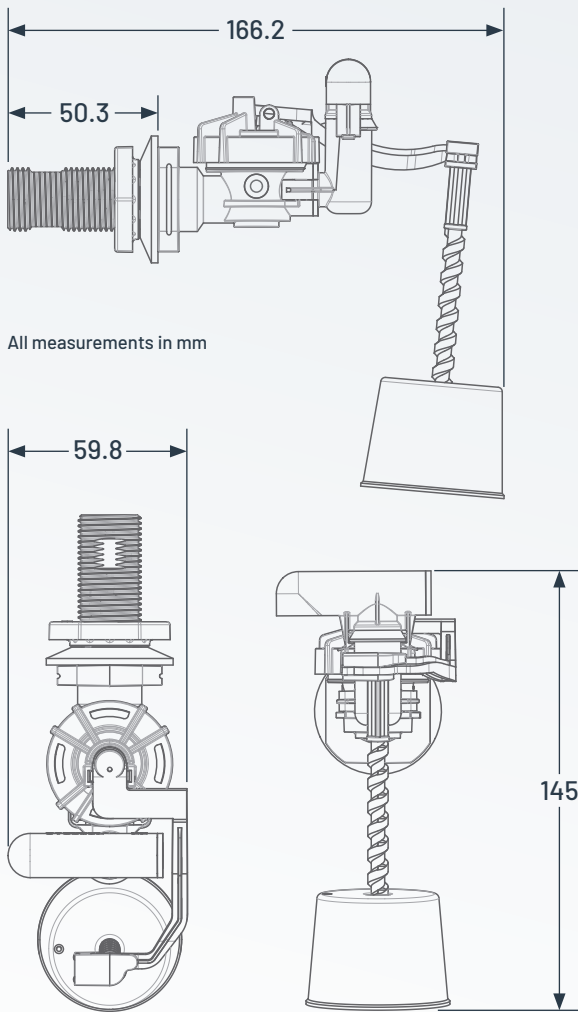
The content of this document was correct on the date of issue but changes may have since been made without notice as part of continual product improvement.



Our new and improved valve replaces the previous model shown here.

# Torbeck® Fill Valve Side Entry

TECHNICAL DATA SHEET



- 💧 Side Entry WC Fill Valve
- 💧 ½" BSP inlet connection (brass or plastic)
- 💧 Controlled flow throughout pressure range to ensure optimum fill and safety factors with pre-fitted restrictor
- 💧 Operating pressure range - minimum 0.1 bar\* to maximum 10 bar  
*\*Restrictor must be removed for gravity fed systems*
- 💧 Water level range 70mm
- 💧 Quiet filling
- 💧 Suitable for header tanks or WC cisterns
- 💧 Airgap compliant to AUK1 and Reg 4 as standard
- 💧 Meets requirements of the Water Supply (Water Fittings) Regulations, Byelaws in Scotland, as they apply to Type AG and Type AUK1 air gaps in WC suites and the interim agreement
- 💧 Meets BS1212-4 requirements
- 💧 Small footprint
- 💧 Easy installation and maintenance

SKU	Thread
720U-071-P25	½" brass
720U-072-P25	½" plastic

## Installation support

Visit [www.fluidmasteruk.com/product\\_categories/fill-flush](http://www.fluidmasteruk.com/product_categories/fill-flush) or watch our installation videos [here](#).

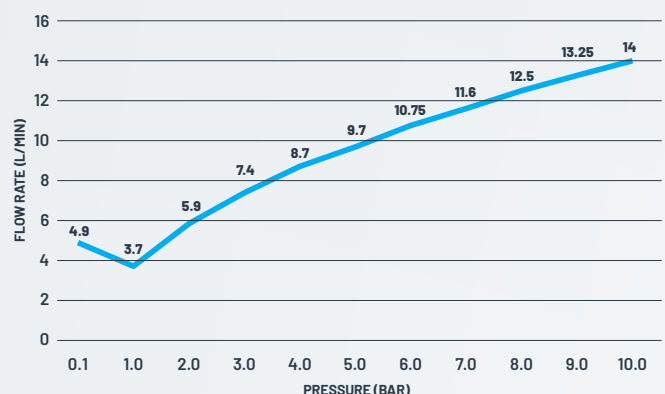
## End of life data

Any waste components should be disposed of responsibly and in accordance with local guidelines/facilities.

**Product warranty** 12 months

The content of this document was correct on the date of issue but changes may have since been made without notice as part of continual product improvement.

## Side Entry (open float) flow rate - Pressure vs Flow



For further information please go to:  
[www.fluidmasteruk.com](http://www.fluidmasteruk.com)