

# Volvo ECR145E, ECR235E in detail

**Engine**  
The latest generation, Volvo engine Tier 4f / Stage IV emissions compliant diesel engine fully meets the demands of the latest, emissions regulations. Featuring Volvo Advanced Combustion Technology (V-ACT), it is designed to deliver superior performance and fuel efficiency. The engine uses precise, high pressure fuel injectors, turbo charger and air-to-air intercooler, and electronic engine controls to optimize machine performance. Air Filter: 3-stage with precleaner  
Automatic Idling System: Reduces engine speed to idle when the levers and pedals are not activated resulting in less fuel consumption and low cab noise levels.

ECR145E		
Engine	Volvo	D4J
Max power at	r/s / r/min	33 / 2 000
Net, ISO 9249/SAE J1349	kW / hp	89 / 121
Gross, ISO 14396/SAE J1995	kW / hp	90 / 122
Max torque at	Nm/ r/min	566 / 1 500
No. of cylinders		4
Displacement	l	4.0
Bore	mm	101
Stroke	mm	126

ECR235E		
Engine	Volvo	D6J
Max power at	r/s / r/min	30 / 1 800
Net, ISO 9249/SAE J1349	kW / hp	128 / 174
Gross, ISO 14396/SAE J1995	kW / hp	129 / 175
Max torque at	Nm/ r/min	850 / 1 350
No. of cylinders		6
Displacement	l	5.7
Bore	mm	98
Stroke	mm	126

Electrical system	ECR145E	ECR235E
Well protected high-capacity electrical system. Waterproof double-lock harness plugs are used to secure corrosion-free connections. The main relays and solenoid valves are shielded to prevent damage. The master switch is standard. Contronics provides advanced monitoring of machine functions and important diagnostic information.		
Voltage	V	24 24
Batteries	V / Ah	2 x 12 / 100 2 x 12 / 150
Alternator	V / Ah	28 / 110 28 / 110
Start motor	V / kW	24 x 5.5 24 x 5.5

Swing system	ECR145E	ECR235E
The swing system uses an axial piston motors, driving a planetary gearbox for maximum torque. An automatic holding brake and antirebound valve are standard		
Max. slew speed	r/min	12.7 12
Max. slew torque	kNm	41.9 83

Drive	ECR145E	ECR235E
Each track is powered by an automatic two-speed shift travel motor. The track brakes are multi-disc, spring-applied and hydraulic released. The travel motor, brake and planetary gears are well protected within the track frame.		
Max. drawbar pull	kN	119 208.9
Max. travel speed	km/h	3.0 / 5.5 3.0 / 5.5
Gradeability	°	35 35

Undercarriage	ECR145E	ECR235E
Robust X-shaped frame with greased and sealed track chains as standard.		
Track shoe	2 x 46	2 x 49
Link pitch	mm	171 190
Shoe width, triple grouser	mm	500 / 600 / 750 600 / 700 / 800 / 900
Shoe width, triple grouser, HD	mm	600 / 700 600
Shoe width, double grouser	mm	- 700
Shoe width, rubber grouser	mm	500 600
Bottom rollers	2 x 7	2 x 8
Top rollers	2 x 1	2 x 2

Hydraulic system	ECR145E	ECR235E
------------------	---------	---------

The hydraulics system, combined with the fully electronic control system and advanced ECO mode, has been optimized to work in harmony with engine to match the engine power, reduce power loss and improve controllability and response time.

**The following important functions are included in the system:**

**Summation system:** Combines the flow of both hydraulic pumps to ensure quick cycle times and high productivity.

**Arm priority:** Gives priority to the arm operation for faster cycle times in leveling and for increased bucket filling when digging.

**Swing priority:** Gives priority to swing functions for faster simultaneous operations.

**Regeneration system:** Prevents cavitation and provides flow to other movements during simultaneous operations for maximum productivity.

**Power boost:** All digging and lifting forces are increased.

**Holding valves:** Boom and arm holding valves prevent the digging equipment from creeping.

**Main pump,** Type 2 x variable displacement axial piston pumps

Maximum flow	l/min	2 x 124	2 x 207
--------------	-------	---------	---------

**Pilot pump,** Type Gear pump

Maximum flow	l/min	1 x 20	1 x 18
--------------	-------	--------	--------

**Relief valve setting:**

Implement	MPa	32.4 / 34.3	34.3 / 36.3
Travel circuit	MPa	34.3	34.3
Slew circuit	MPa	26.5	27.9
Pilot circuit	MPa	3.9	3.9

**Hydraulic motors**

**Travel:** Variable displacement axial piston motor with mechanical brake

**Slew:** Fixed displacement axial piston motor with mechanical brake

Hydraulic cylinders	ECR145E	ECR235E
Mono boom		2 2
Bore x Stroke	ø x mm	105 x 1 055 130 x 1 420
1st boom of 2 piece boom		2 2
Bore x Stroke	ø x mm	110 x 980 130 x 1 345
2nd boom of 2 piece boom		1 1
Bore x Stroke	ø x mm	160 x 765 160 x 1 070
Arm		1 1
Bore x Stroke	ø x mm	120 x 1 028 135 x 1 520
Bucket		1 1
Bore x Stroke	ø x mm	100 x 865 120 x 1 065
Dozer blade		2 2
Bore x Stroke	ø x mm	130 x 270 140 x 320

Service refill capacities	ECR145E	ECR235E
Fuel tank	l	200 286
Hydraulic system, total	l	200 280
Hydraulic tank	l	59 126
AdBlue tank	l	15.5 24.9
Engine oil	l	15.5 25
Engine coolant	l	26 30
Swing reduction unit	l	3.9 7
Travel reduction unit	l	2 x 2.2 2 x 5

**Cab**

The operator's cab has easy access via a wide door opening. The cab is supported on hydraulic dampening mounts to reduce shock and vibration levels. These along with sound

absorbing lining provide low noise levels. The cab has excellent all-round visibility. The front windshield can easily slide up into the ceiling, and the lower front glass can be removed and stored in the side door.

**Integrated air-conditioning and heating system:** The pressurized and filtered cab air is supplied by an automatically-controlled fan. The air is distributed throughout the cab from 14 vents.

**Ergonomic operator's seat:** The adjustable seat and joystick console move independently to accommodate the operator. The seat has nine different adjustments plus a seat belt for the operator's comfort and safety.

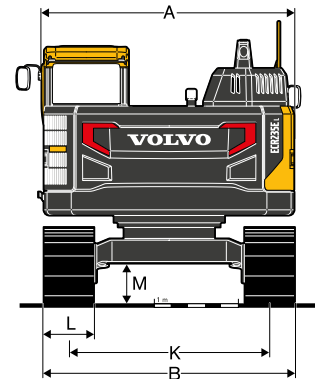
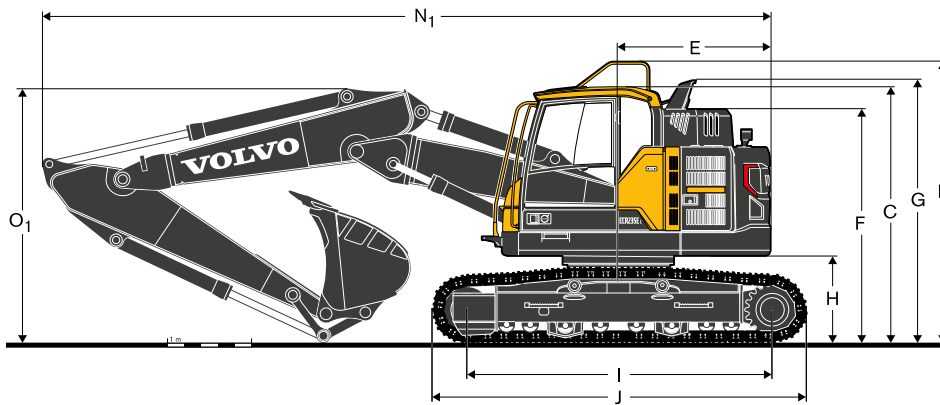
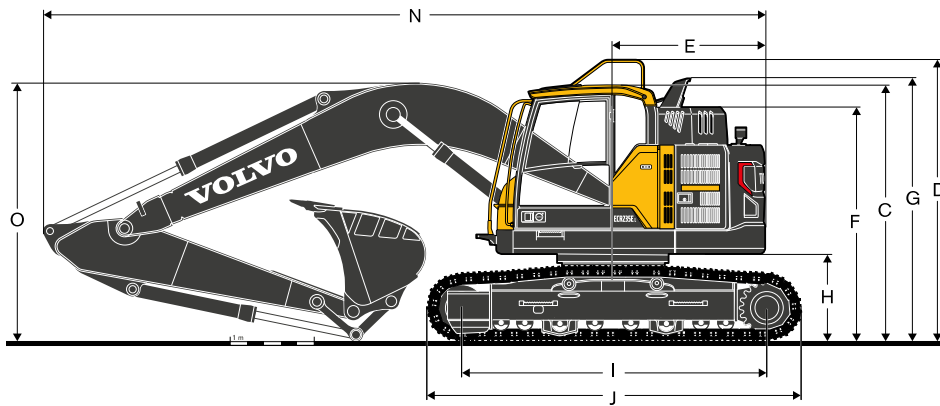
Sound Level	ECR145E	ECR235E
Sound level in cab according to ISO 6396		
LpA (standard)	dB(A)	71 71
LpA (tropical)	dB(A)	72 72
External sound level according to ISO 6395, EU Noise Directive (2000/14/EC)		
LwA (standard)	dB(A)	97 101
LwA (tropical)	dB(A)	98 102

# Specifications

## MACHINE WEIGHTS AND GROUND PRESSURE

Description	Shoe width mm	Operating weight kg	Ground pressure kPa	Overall width mm	Operating weight kg	Ground pressure kPa	Overall width mm
		<b>ECR145EL</b>					
		<b>4.6m boom, 2.5m arm, 443kg / 660l bucket, 3 200kg counterweight</b>			<b>4.72m 2-piece boom, 2.5m arm, 443kg / 660l bucket, 3 200kg counterweight</b>		
<b>Triple grouser</b>	500	14 920	44.1	2 490	15 310	45.1	2 490
	600	15 120	37.3	2 590	15 510	38.2	2 590
	750	15 500	30.4	2 740	15 890	31.4	2 740
<b>Triple grouser, HD</b>	600	15 185	37.3	2 590	15 570	38.2	2 590
	700	15 400	32.4	2 690	15 785	33.3	2 690
<b>Rubber grouser</b>	500	14 955	44.1	2 490	15 340	46.1	2 490
<b>Add on rubber grouser</b>	500	15 370	46.1	2 490	15 760	47.1	2 490
		<b>ECR145EL with dozer blade</b>					
		<b>4.6m boom, 2.5m arm, 443kg / 660l bucket, 3 200kg counterweight</b>			<b>4.72m 2-piece boom, 2.5m arm, 443kg / 660l bucket, 3 200kg counterweight</b>		
<b>Triple grouser</b>	500	15 790	47.1	2 490	16 180	48.0	2 490
	600	16 000	39.2	2 590	16 390	40.2	2 590
	750	16 385	32.4	2 740	16 770	33.3	2 740
<b>Triple grouser, HD</b>	600	16 070	40.2	2 590	16 455	41.2	2 590
	700	16 280	34.3	2 690	16 670	35.3	2 690
<b>Rubber grouser</b>	500	15 830	47.1	2 490	16 220	48.0	2 490
<b>Add on rubber grouser</b>	500	16 240	48.0	2 490	16 630	49.0	2 490
		<b>ECR235EL</b>					
		<b>5.7m boom, 2.9m arm, 908kg / 1 090l bucket, 6 200kg counterweight</b>			<b>5.76m 2-piece boom, 2.9m arm, 908kg / 1 090l bucket, 6 200kg counterweight</b>		
<b>Triple grouser</b>	600	24 570	51.0	2 990	25 140	52.0	2 990
	700	25 040	44.1	3 090	25 600	45.1	3 090
	800	25 315	39.2	3 190	25 880	40.2	3 190
	900	25 610	35.3	3 290	26 180	36.3	3 290
<b>Triple grouser, HD</b>	600	25 780	53.0	2 990	25 310	52.0	2 990
<b>Double grouser</b>	700	25 300	45.1	3 090	25 860	46.1	3 090
<b>Rubber grouser</b>	600	24 700	51.0	2 990	25 430	53.0	2 990
<b>Add on rubber grouser</b>	600	25 300	52.0	2 990	26 030	53.9	2 990
		<b>ECR235EL with dozer blade</b>					
		<b>5.7m boom, 2.9m arm, 908kg / 1 090l bucket, 6 200kg counterweight</b>			<b>5.76m 2-piece boom, 2.9m arm, 908kg / 1 090l bucket, 6 200kg counterweight</b>		
<b>Triple grouser</b>	600	25 955	53.9	2 990	26 520	54.9	2 990
	700	26 440	47.1	3 090	27 000	48.0	3 090
	800	26 730	41.2	3 190	27 290	42.2	3 190
	900	27 020	37.3	3 290	27 590	38.2	3 290
<b>Triple grouser, HD</b>	600	27 160	55.9	2 990	26 690	54.9	2 990
<b>Double grouser</b>	700	26 695	47.1	3 090	27 260	48.0	3 090
<b>Rubber grouser</b>	600	26 080	53.9	2 990	26 820	55.9	2 990
<b>Add on rubber grouser</b>	600	26 680	54.9	2 990	27 410	56.9	2 990

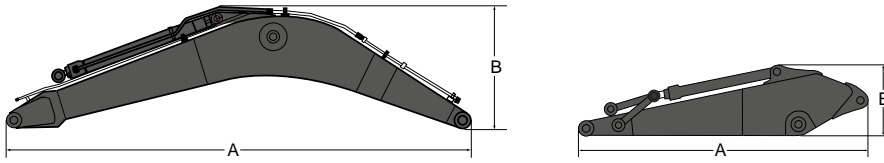
# Specifications



Description		Unit	ECR145EL			ECR235EL	
Boom		m	4.6 mono or 4.72 2-piece			5.7 mono or 5.76 2-piece	
Arm		m	2.1	2.5	3.0	2.5	2.9
A	Overall width of upper structure	mm	2 490	2 490	2 490	2 990	2 990
B	Overall width	mm	2 690	2 690	2 690	3 090	3 090
C	Overall height of cab	mm	2 895	2 895	2 895	2 965	2 965
D	Overall height of guardrail(unfolded)	mm	3 075	3 075	3 075	3 365	3 365
D'	Overall height of guardrail(folded)	mm	-	-	-	2 925	2 925
E	Tail swing radius	mm	1 494	1 494	1 494	1 810	1 810
F	Overall height of engine hood	mm	2 545	2 545	2 545	2 780	2 780
G	Overall height of diffuser	mm	2 775	2 775	2 775	3 035	3 035
H	Counterweight clearance *	mm	900	900	900	1 025	1 025
I	Tumbler length	mm	3 040	3 040	3 040	3 660	3 660
J	Track length	mm	3 750	3 750	3 750	4 460	4 460
K	Track gauge	mm	1 990	1 990	1 990	2 390	2 390
L	Shoe width	mm	700	700	700	700	700
M	Min. ground clearance *	mm	430	430	430	460	460
N	Overall length	mm	7 400	7 405	7 345	9 070	9 010
N <sub>1</sub>	Overall length	mm	7 505	7 470	7 370	9 090	9 065
O	Overall height of boom	mm	2 760	2 900	3 250	3 330	3 190
O <sub>1</sub>	Overall height of boom	mm	2 710	2 910	3 470	3 060	3 030

\* Without shoe grouser.

<sub>1</sub> 2-piece boom



### ECR145E

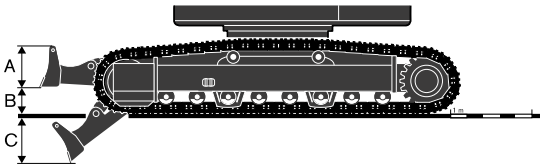
Description		Unit	mono	2-piece	Description		Unit			
<b>Boom</b>		<b>m</b>	<b>4.6</b>	<b>4.72</b>	<b>Arm</b>		<b>m</b>	<b>2.1</b>	<b>2.5</b>	<b>3.0</b>
A	Length	mm	4 770	4 885	A	Length	mm	2 790	3 195	3 690
B	Height	mm	1 370	1 135	B	Height	mm	680	675	750
Width		mm	545	545	Width		mm	275	275	275
Weight		kg	1 130	1 450	Weight		kg	560	624	684

### ECR235E

Description		Unit	mono	2-piece	Description		Unit		
<b>Boom</b>		<b>m</b>	<b>5.7</b>	<b>5.76</b>	<b>Arm</b>		<b>m</b>	<b>2.5</b>	<b>2.9</b>
A	Length	mm	5 910	5 965	A	Length	mm	3 525	3 910
B	Height	mm	1 770	1 300	B	Height	mm	860	860
Width		mm	670	670	Width		mm	440	440
Weight		kg	2 000	2 570	Weight		kg	975	1 000

\* Includes cylinder, piping and pin, excludes boom cyl. Pin

\* Includes cylinder, linkage and pin

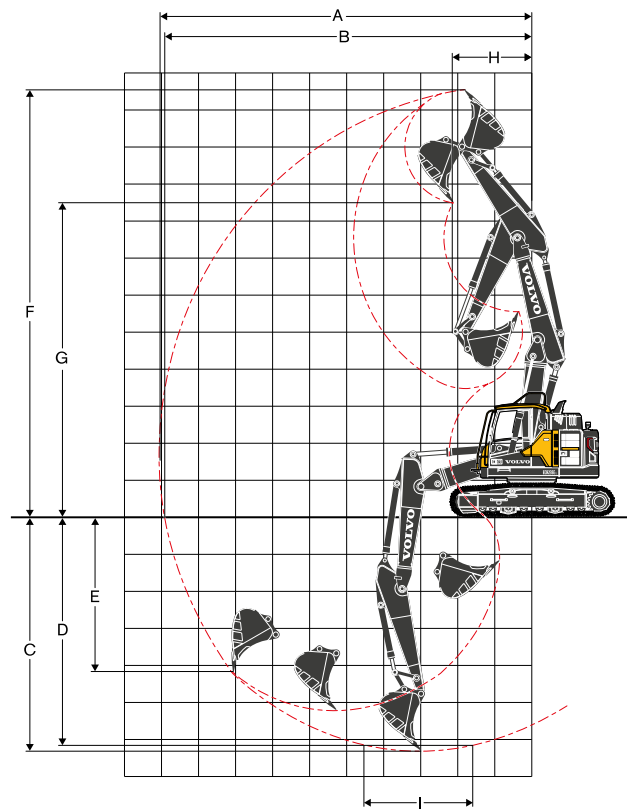
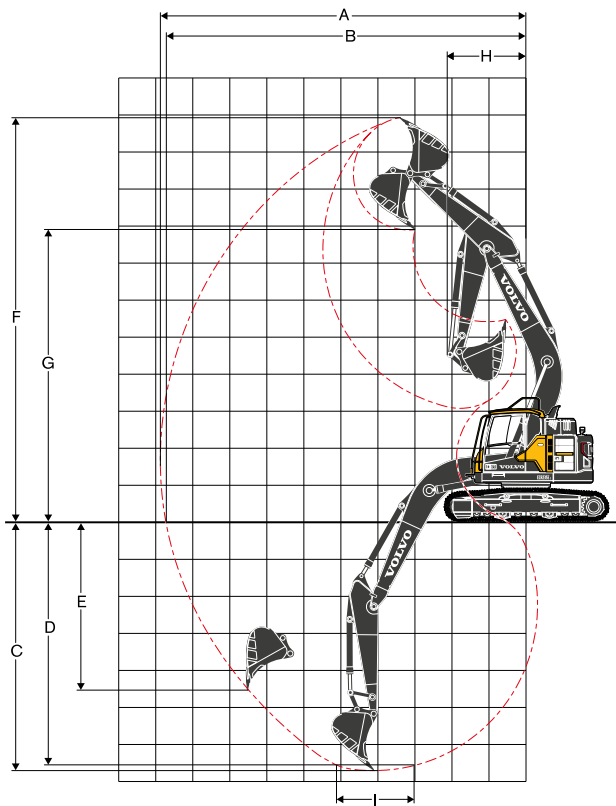


### Front dozer blade

Description	Unit	ECR145E	ECR235E
A Height	mm	585	600
Width 500mm shoe	mm	2 490	-
Width 600mm shoe	mm	2 590	2 990
Width 700mm shoe	mm	2 690	3 090
Width 800mm shoe	mm	-	3 190
Weight	kg	460	790
B Lift height	mm	478	610
C Digging depth	mm	601	480

# Specifications

## WORKING RANGES



Description		Unit	ECR145E						ECR235E			
Boom		m	4.6 mono			4.72 2-piece			5.7 mono		5.76 2-piece	
Arm		m	2.1	2.5	3.0	2.1	2.5	3.0	2.5	2.9	2.5	2.9
A	Max. digging reach	mm	7 990	8 360	8 850	8 220	8 610	9 100	9 510	9 890	9 690	10 085
B	Max. digging reach on ground	mm	7 840	8 215	8 720	8 070	8 465	8 970	9 340	9 735	9 660	9 930
C	Max. digging depth	mm	5 130	5 530	6 030	5 235	5 640	6 145	6 350	6 755	5 950	6 355
D	Max. digging depth (l = 2.44m level)	mm	4 880	5 310	5 850	5 115	5 525	6 040	6 120	6 550	5 840	6 250
E	Max. vertical wall digging depth	mm	3 954	4 325	4 855	4 155	4 523	5 015	5 220	5 685	4 910	5 325
F	Max. cutting height	mm	9 090	9 415	9 860	9 380	9 740	10 205	10 600	10 915	11 150	11 515
G	Max. dumping height	mm	6 550	6 875	7 310	6 830	7 190	7 660	7 560	7 870	8 095	8 460
H	Min. front swing radius	mm	1 929	2 130	2 505	2 330	2 590	3 010	2 395	2 170	2 235	2 160
<b>DIGGING FORCES WITH DIRECT FIT BUCKET</b>												
Bucket radius		mm	1 274	1 274	1 274	1 274	1 274	1 274	1 528	1 528	1 528	1 528
Breakout force - bucket	Normal	SAE J1179	kN	80.5	80.5	80.5	80.5	80.5	80.5	125.0	125.0	125.0
	Power boost	SAE J1179	kN	85.4	85.4	85.4	85.4	85.4	85.4	132.1	132.2	132.1
	Normal	ISO 6015	kN	91.1	91.1	91.1	91.1	91.1	91.1	141.3	141.3	141.3
	Power boost	ISO 6015	kN	96.6	96.6	96.6	96.6	96.6	96.6	149.4	149.4	149.4
Tearout force - dipper arm	Normal	SAE J1179	kN	69.5	62.1	55.3	69.5	62.1	55.3	117.2	101.3	117.2
	Power boost	SAE J1179	kN	73.8	65.8	58.6	73.8	65.8	58.6	123.9	107.1	123.9
	Normal	ISO 6015	kN	71.4	63.5	56.3	71.4	63.5	56.3	120.7	103.9	120.7
	Power boost	ISO 6015	kN	75.8	67.3	59.8	75.8	67.3	59.8	127.6	109.9	127.6
Rotation angle, bucket		°	175	175	175	175	175	175	175	175	175	175

**BUCKET SELECTION GUIDE**

Bucket type		Capacity	Cutting width	Weight	Teeth	ECR145E					
						600mm shoe, 3 200kg counterweight					
						4.6m boom			4.72m 2-piece boom		
						L	mm	kg	EA	2.1m arm	2.5m arm
Direct fit Buckets	Without Quick Coupler	250	450	293	3	C	C	C	C	C	C
		330	600	324	3	C	C	C	C	C	C
		420	750	355	3	C	C	C	C	C	C
		540	900	403	4	C	C	C	C	C	C
		660	1 050	443	4	C	C	C	C	C	C
		770	1 200	504	5	C	C	B	C	C	B
General purpose	U type quick coupler	250	450	293	3	C	C	C	C	C	C
		330	600	324	3	C	C	C	C	C	C
		420	750	355	3	C	C	C	C	C	C
		540	900	403	4	C	C	C	C	C	C
		660	1 050	443	4	C	C	B	C	C	B
		770	1 200	504	5	C	B	A	C	B	A

Bucket type		Capacity	Cutting width	Weight	Teeth	ECR145E					
						700mm shoe, 3 200kg counterweight					
						4.6m boom			4.72m 2-piece boom		
						L	mm	kg	EA	2.1m arm	2.5m arm
Direct fit Buckets	Without Quick Coupler	250	450	293	3	C	C	C	C	C	C
		330	600	324	3	C	C	C	C	C	C
		420	750	355	3	C	C	C	C	C	C
		540	900	403	4	C	C	C	C	C	C
		660	1 050	443	4	C	C	C	C	C	C
		770	1 200	504	5	C	C	B	C	C	C
General purpose	U type quick coupler	250	450	293	3	C	C	C	C	C	C
		330	600	324	3	C	C	C	C	C	C
		420	750	355	3	C	C	C	C	C	C
		540	900	403	4	C	C	C	C	C	C
		660	1 050	443	4	C	C	C	C	C	C
		770	1 200	504	5	C	C	B	C	B	A

Bucket type		Capacity	Cutting width	Weight	Teeth	ECR235E							
						600mm shoe, 6 200kg counterweight				700mm shoe, 6 200kg counterweight			
						5.7m boom		5.76m 2-piece boom		5.7m boom		5.76m 2-piece boom	
						L	mm	kg	EA	2.5m arm	2.9m arm	2.5m arm	2.9m arm
Direct fit Buckets	Without Quick Coupler	480	600	623	3	C	C	C	C	C	C	C	C
		630	800	703	4	C	C	C	C	C	C	C	C
		750	900	749	4	C	C	C	C	C	C	C	C
		920	1 050	819	4	C	C	C	C	C	C	C	C
		1 090	1 200	908	5	C	C	C	C	C	C	C	C
		1 270	1 350	995	5	C	C	C	B	C	C	C	C
		1 440	1 500	1 085	6	C	B	B	B	C	B	B	B
		1 440	1 500	1 085	6	B	A	A	A	B	A	B	A
General purpose	U type quick coupler	480	600	623	3	C	C	C	C	C	C	C	C
		630	800	703	4	C	C	C	C	C	C	C	C
		750	900	749	4	C	C	C	C	C	C	C	C
		920	1 050	819	4	C	C	C	C	C	C	C	C
		1 090	1 200	908	5	C	C	C	C	C	C	C	C
		1 270	1 350	995	5	C	B	B	B	C	B	B	B
		1 440	1 500	1 085	6	B	A	A	A	B	A	B	A

Please consult with your Volvo dealer for the proper match of buckets and attachments to suit the application.  
 The recommendations are given as a guide only, based on typical operation conditions.  
 Bucket capacity based on ISO 7451, heaped material with a 1:1 angle of repose.

**Maximum material density**

- A 1 200–1 300 kg/m<sup>3</sup> Coal, Caliche, Shale
- B 1 400–1 600 kg/m<sup>3</sup> Wet earth and clay, Limestone, Sandstone
- C 1 700–1 800 kg/m<sup>3</sup> Granite, Wet sand, Well blasted rock
- D 1 900 kg/m<sup>3</sup> ~ Wet mud, Iron ore

# Specifications

## LIFTING CAPACITY ECR145EL

Lifting capacity at the arm end without bucket.

For lifting capacity including bucket, simply subtract actual weight of the direct fit bucket or the bucket with quick coupler from the following values.

	Lifting hook related to ground level	1.5 m		3.0 m		4.5 m		6.0 m		7.5 m		Max. reach		
		Along UC	Across UC	Along UC	Across UC	Along UC	Across UC	Along UC	Across UC	Along UC	Across UC	Along UC	Across UC	m
Boom : 4.6m Arm : 2.1m Shoe : 500mm CWT : 3 200kg	7.5m kg	-	-	-	-	-	-	-	-	-	-	*5 360	*5 360	2.8
	6.0m kg	-	-	*4 360	*4 360	*4 190	3 820	-	-	-	-	*4 220	3 240	5.0
	4.5m kg	-	-	*5 220	*5 220	*4 360	3 760	3 790	2 380	-	-	3 770	2 370	6.0
	3.0m kg	-	-	*7 560	6 610	*5 090	3 580	3 740	2 330	-	-	3 250	2 030	6.6
	1.5m kg	-	-	-	-	5 640	3 370	3 650	2 250	-	-	3 090	1 910	6.7
	0.0m kg	-	-	*5 520	*5 520	5 500	3 240	3 580	2 190	-	-	3 180	1 950	6.5
	-1.5m kg	*5 200	*5 200	*8 140	5 900	5 460	3 210	-	-	-	-	3 620	2 210	5.9
	-3.0m kg	-	-	*6 040	6 030	*4 140	3 290	-	-	-	-	*3 610	2 990	4.8
Boom : 4.6m Arm : 2.5m Shoe : 500mm CWT : 3 200kg	7.5m kg	-	-	*4 380	*4 380	-	-	-	-	-	-	*4 270	*4 270	3.7
	6.0m kg	-	-	-	-	*3 750	*3 750	-	-	-	-	*3 440	2 810	5.5
	4.5m kg	-	-	*4 420	*4 420	*4 000	3 800	*3 710	2 400	-	-	*3 220	2 140	6.4
	3.0m kg	-	-	*6 780	6 770	*4 770	3 610	3 750	2 330	-	-	2 980	1 850	6.9
	1.5m kg	-	-	-	-	*5 630	3 380	3 640	2 240	-	-	2 840	1 750	7.1
	0.0m kg	-	-	*6 130	5 840	5 480	3 220	3 560	2 160	-	-	2 910	1 780	6.9
	-1.5m kg	*4 770	*4 770	*8 600	5 820	5 420	3 170	3 530	2 140	-	-	3 260	1 980	6.4
	-3.0m kg	*9 220	*9 220	*6 790	5 920	*4 680	3 210	-	-	-	-	*3 560	2 550	5.3
Boom : 4.6m Arm : 3.0m Shoe : 500mm CWT : 3 200kg	7.5m kg	-	-	-	-	*3 460	*3 460	-	-	-	-	*3 360	*3 360	4.6
	6.0m kg	-	-	-	-	*3 220	*3 220	*3 030	2 410	-	-	*2 830	2 350	6.1
	4.5m kg	-	-	-	-	*3 510	*3 510	*3 350	2 410	-	-	*2 670	1 850	7.0
	3.0m kg	-	-	*5 740	*5 740	*4 300	3 630	*3 650	2 320	-	-	2 650	1 630	7.4
	1.5m kg	-	-	-	-	*5 260	3 370	3 610	2 210	2 570	1 560	2 530	1 540	7.6
	0.0m kg	-	-	*6 540	5 770	5 430	3 170	3 510	2 110	-	-	2 580	1 560	7.4
	-1.5m kg	*4 120	*4 120	*8 920	5 670	5 330	3 080	3 450	2 060	-	-	2 830	1 710	6.9
	-3.0m kg	*7 550	*7 550	*7 500	5 740	*5 090	3 090	-	-	-	-	*3 340	2 100	6.0
Boom : 4.6m Arm : 2.1m Shoe : 500mm CWT : 3 200kg Dozer blade down	7.5m kg	-	-	-	-	*4 360	*4 360	*4 190	-	-	-	*5 360	*5 360	2.8
	6.0m kg	-	-	*4 360	*4 360	*4 190	*4 190	-	-	-	-	*4 220	3 600	5.0
	4.5m kg	-	-	*5 220	*5 220	*4 360	4 180	*3 980	2 650	-	-	*3 910	2 640	6.0
	3.0m kg	-	-	*7 560	7 420	*5 090	3 990	*4 150	2 600	-	-	*3 930	2 270	6.6
	1.5m kg	-	-	-	-	*5 850	3 780	*4 410	2 520	-	-	*3 960	2 140	6.7
	0.0m kg	-	-	*5 520	*5 520	*6 120	3 650	*4 450	2 460	-	-	*3 980	2 200	6.5
	-1.5m kg	*5 200	*5 200	*8 140	6 690	*5 670	3 620	-	-	-	-	*3 930	2 490	5.9
	-3.0m kg	-	-	*6 040	*6 040	*4 140	3 690	-	-	-	-	*3 610	3 350	4.8
Boom : 4.6m Arm : 2.5m Shoe : 500mm CWT : 3 200kg Dozer blade down	7.5m kg	-	-	*4 380	*4 380	-	-	-	-	-	-	*4 270	*4 270	3.7
	6.0m kg	-	-	-	-	*3 750	*3 750	-	-	-	-	*3 440	3 120	5.5
	4.5m kg	-	-	*4 420	*4 420	*4 000	*4 000	*3 710	2 680	-	-	*3 220	2 390	6.4
	3.0m kg	-	-	*6 780	*6 780	*4 770	4 020	*3 950	2 610	-	-	*3 240	2 080	6.9
	1.5m kg	-	-	-	-	*5 630	3 790	*4 280	2 510	-	-	*3 440	1 970	7.1
	0.0m kg	-	-	*6 130	*6 130	*6 060	3 630	*4 430	2 440	-	-	*3 730	2 010	6.9
	-1.5m kg	*4 770	*4 770	*8 600	6 610	*5 820	3 570	*4 130	2 410	-	-	*3 730	2 240	6.4
	-3.0m kg	*9 220	*9 220	*6 790	6 710	*4 680	3 620	-	-	-	-	*3 560	2 870	5.3
Boom : 4.6m Arm : 3.0m Shoe : 500mm CWT : 3 200kg Dozer blade down	7.5m kg	-	-	-	-	*3 460	*3 460	-	-	-	-	*3 360	*3 360	4.6
	6.0m kg	-	-	-	-	*3 220	*3 220	*3 030	2 690	-	-	*2 830	2 620	6.1
	4.5m kg	-	-	-	-	*3 510	*3 510	*3 350	2 680	-	-	*2 670	2 080	7.0
	3.0m kg	-	-	*5 740	*5 740	*4 300	4 050	*3 650	2 600	-	-	*2 670	1 830	7.4
	1.5m kg	-	-	-	-	*5 260	3 780	*4 050	2 480	*3 120	1 770	*2 810	1 740	7.6
	0.0m kg	-	-	*6 540	*6 540	*5 880	3 580	*4 320	2 380	-	-	*3 110	1 760	7.4
	-1.5m kg	*4 120	*4 120	*8 920	6 460	*5 880	3 490	*4 220	2 330	-	-	*3 410	1 930	6.9
	-3.0m kg	*7 550	*7 550	*7 500	6 530	*5 090	3 500	-	-	-	-	*3 340	2 380	6.0
Boom : 4.72m 2-piece Arm : 2.1m Shoe : 500mm CWT : 3 200kg	7.5m kg	-	-	*6 240	*6 240	-	-	-	-	-	-	*5 300	*5 300	3.4
	6.0m kg	-	-	*5 290	*5 290	*5 480	3 850	-	-	-	-	*3 950	2 930	5.3
	4.5m kg	-	-	*5 480	*5 480	*5 690	3 770	3 820	2 380	-	-	3 550	2 200	6.3
	3.0m kg	-	-	-	-	5 910	3 560	3 760	2 320	-	-	3 090	1 910	6.8
	1.5m kg	-	-	-	-	5 660	3 340	3 660	2 230	-	-	2 950	1 800	6.9
	0.0m kg	-	-	-	-	5 510	3 210	3 590	2 170	-	-	3 040	1 850	6.8
	-1.5m kg	-	-	*6 990	5 880	*5 410	3 190	3 590	2 170	-	-	*3 190	2 090	6.2
	Boom : 4.72m 2-piece Arm : 2.5m Shoe : 500mm CWT : 3 200kg	7.5m kg	-	-	*5 310	*5 310	-	-	-	-	-	-	*4 030	*4 030
6.0m kg		-	-	-	-	*4 690	3 910	-	-	-	-	*3 210	2 550	5.8
4.5m kg		-	-	*4 100	*4 100	*4 890	3 820	3 850	2 410	-	-	*2 940	1 990	6.7
3.0m kg		-	-	-	-	5 960	3 600	3 770	2 330	-	-	2 830	1 740	7.2
1.5m kg		-	-	-	-	5 680	3 350	3 660	2 230	-	-	2 710	1 650	7.3
0.0m kg		-	-	-	-	5 490	3 190	3 570	2 150	-	-	2 780	1 680	7.2
-1.5m kg		-	-	*7 870	5 790	5 430	3 140	3 540	2 120	-	-	3 090	1 870	6.6
-3.0m kg		-	-	-	-	*3 840	3 200	-	-	-	-	-	-	5.7

Notes: 1. Machine in "Fine Mode-F" (Power Boost) for lifting capacities. 2. The above loads are in compliance with SAE J1097 and ISO 10567 Hydraulic Excavator Lifting Capacity Standards. 3. Rated loads do not exceed 87% of hydraulic lifting capacity or 75% of tipping load. 4. Rated loads marked with an asterisk (\*) are limited by hydraulic capacity rather than tipping load.

## LIFTING CAPACITY ECR145EL

Lifting capacity at the arm end without bucket.

For lifting capacity including bucket, simply subtract actual weight of the direct fit bucket or the bucket with quick coupler from the following values.

	Lifting hook related to ground level	1.5 m		3.0 m		4.5 m		6.0 m		7.5 m		Max. reach		
		Along UC	Across UC	Along UC	Across UC	Along UC	Across UC	Along UC	Across UC	Along UC	Across UC	Along UC	Across UC	m
Boom : 4.72m 2-piece Arm : 3.0m Shoe : 500mm CWT : 3 200kg	7.5m kg	-	-	-	-	*3 980	3 890	-	-	-	-	*3 180	*3 180	5.0
	6.0m kg	-	-	-	-	*3 770	*3 770	*3 530	2 430	-	-	*2 640	2 150	6.4
	4.5m kg	-	-	-	-	*3 730	*3 730	3 870	2 410	-	-	*2 440	1 720	7.2
	3.0m kg	-	-	-	-	*5 060	3 630	3 760	2 320	2 630	1 600	*2 390	1 520	7.7
	1.5m kg	-	-	-	-	5 680	3 350	3 630	2 190	2 580	1 550	2 410	1 450	7.8
	0.0m kg	-	-	-	-	5 440	3 140	3 520	2 090	2 540	1 510	2 460	1 470	7.7
	-1.5m kg	-	-	*7 460	5 630	5 340	3 050	3 460	2 040	-	-	2 700	1 610	7.2
	-3.0m kg	-	-	*6 170	5 710	*4 530	3 070	*2 830	2 080	-	-	2 260	1 960	6.3
Boom : 4.72m 2-piece Arm : 2.1m Shoe : 500mm CWT : 3 200kg Dozer blade down	7.5m kg	-	-	*6 240	*6 240	-	-	-	-	-	-	*5 300	*5 300	3.4
	6.0m kg	-	-	*5 290	*5 290	*5 480	4 270	-	-	-	-	*3 950	3 270	5.3
	4.5m kg	-	-	*5 480	*5 480	*5 690	4 190	*4 790	2 660	-	-	*3 580	2 460	6.3
	3.0m kg	-	-	-	-	*6 320	3 980	*4 900	2 600	-	-	*3 500	2 140	6.8
	1.5m kg	-	-	-	-	*6 780	3 750	*4 970	2 510	-	-	*3 630	2 030	6.9
	0.0m kg	-	-	-	-	*6 530	3 620	*4 690	2 450	-	-	*3 750	2 090	6.8
	-1.5m kg	-	-	*6 990	6 680	*5 410	3 600	*3 600	2 440	-	-	*3 190	2 350	6.2
	-3.0m kg	-	-	-	-	-	-	-	-	-	-	-	-	-
Boom : 4.72m 2-piece Arm : 2.5m Shoe : 500mm CWT : 3 200kg Dozer blade down	7.5m kg	-	-	*5 310	*5 310	-	-	-	-	-	-	*4 030	*4 030	4.1
	6.0m kg	-	-	-	-	*4 690	4 330	-	-	-	-	*3 210	2 850	5.8
	4.5m kg	-	-	*4 100	*4 100	*4 890	4 230	*4 570	2 680	-	-	*2 940	2 230	6.7
	3.0m kg	-	-	-	-	*6 060	4 020	*4 760	2 600	-	-	*2 880	1 960	7.2
	1.5m kg	-	-	-	-	*6 670	3 770	*4 930	2 500	-	-	*2 980	1 860	7.3
	0.0m kg	-	-	-	-	*6 630	3 600	*4 790	2 420	-	-	*3 250	1 900	7.2
	-1.5m kg	-	-	*7 870	6 590	*5 760	3 550	*4 030	2 400	-	-	*3 110	2 110	6.6
	-3.0m kg	-	-	-	-	*3 840	3 610	-	-	-	-	-	-	-
Boom : 4.72m 2-piece Arm : 3.0m Shoe : 500mm CWT : 3 200kg Dozer blade down	7.5m kg	-	-	-	-	*3 980	*3 980	-	-	-	-	*3 180	*3 180	5.0
	6.0m kg	-	-	-	-	*3 770	*3 770	*3 530	2 710	-	-	*2 640	2 400	6.4
	4.5m kg	-	-	-	-	*3 730	*3 730	*3 990	2 690	-	-	*2 440	1 940	7.2
	3.0m kg	-	-	-	-	*5 060	4 050	*4 530	2 590	*3 170	1 800	*2 390	1 720	7.7
	1.5m kg	-	-	-	-	*6 410	3 760	*4 790	2 470	*3 760	1 760	*2 460	1 640	7.8
	0.0m kg	-	-	-	-	*6 630	3 550	*4 800	2 370	*3 470	1 720	*2 640	1 670	7.7
	-1.5m kg	-	-	*7 460	6 430	*6 040	3 460	*4 310	2 320	-	-	*2 910	1 830	7.2
	-3.0m kg	-	-	*6 170	*6 170	*4 530	3 480	*2 830	2 350	-	-	*2 260	2 220	6.3
Boom : 4.6m Arm : 2.5m Shoe : 600mm CWT : 3 200kg Dozer blade down	7.5m kg	-	-	*4 380	*4 380	-	-	-	-	-	-	*4 270	*4 270	3.7
	6.0m kg	-	-	-	-	*3 750	*3 750	-	-	-	-	*3 440	3 230	5.5
	4.5m kg	-	-	*4 420	*4 420	*4 000	*4 000	*3 710	2 770	-	-	*3 220	2 470	6.4
	3.0m kg	-	-	*6 780	*6 780	*4 770	4 160	*3 950	2 700	-	-	*3 240	2 150	6.9
	1.5m kg	-	-	-	-	*5 630	3 930	*4 280	2 600	-	-	*3 440	2 040	7.1
	0.0m kg	-	-	*6 130	*6 130	*6 060	3 770	*4 430	2 530	-	-	*3 730	2 080	6.9
	-1.5m kg	*4 770	*4 770	*8 600	6 880	*5 820	3 710	*4 130	2 500	-	-	*3 730	2 320	6.4
	-3.0m kg	*9 220	*9 220	*6 790	*6 790	*4 680	3 750	-	-	-	-	*3 560	2 980	5.3
Boom : 4.6m Arm : 3.0m Shoe : 600mm CWT : 3 200kg Dozer blade down	7.5m kg	-	-	-	-	*3 460	*3 460	-	-	-	-	*3 360	*3 360	4.6
	6.0m kg	-	-	-	-	*3 220	*3 220	*3 030	2 780	-	-	*2 830	2 710	6.1
	4.5m kg	-	-	-	-	*3 510	*3 510	*3 350	2 770	-	-	*2 670	2 150	7.0
	3.0m kg	-	-	*5 740	*5 740	*4 300	4 180	*3 650	2 690	-	-	*2 670	1 900	7.4
	1.5m kg	-	-	-	-	*5 260	3 920	*4 050	2 570	*3 120	1 830	*2 810	1 800	7.6
	0.0m kg	-	-	*6 540	*6 540	*5 880	3 710	*4 320	2 470	-	-	*3 110	1 830	7.4
	-1.5m kg	*4 120	*4 120	*8 920	6 730	*5 880	3 620	*4 220	2 420	-	-	*3 410	2 010	6.9
	-3.0m kg	*7 550	*7 550	*7 500	6 800	*5 090	3 630	-	-	-	-	*3 340	2 470	6.0
-4.5m kg	-	-	*4 580	*4 580	-	-	-	-	-	-	*2 830	*2 830	4.4	
Boom : 4.72m 2-piece Arm : 2.1m Shoe : 600mm CWT : 3 200kg	7.5m kg	-	-	*6 240	*6 240	-	-	-	-	-	-	*5 300	*5 300	3.4
	6.0m kg	-	-	*5 290	*5 290	*5 480	3 890	-	-	-	-	*3 950	2 970	5.3
	4.5m kg	-	-	*5 480	*5 480	*5 690	3 820	3 880	2 410	-	-	*3 580	2 230	6.3
	3.0m kg	-	-	-	-	5 990	3 610	3 810	2 350	-	-	3 140	1 930	6.8
	1.5m kg	-	-	-	-	5 740	3 390	3 710	2 270	-	-	2 990	1 830	6.9
	0.0m kg	-	-	-	-	5 590	3 260	3 640	2 200	-	-	3 080	1 880	6.8
	-1.5m kg	-	-	*6 990	5 960	*5 410	3 240	*3 600	2 200	-	-	*3 190	2 120	6.2
	-3.0m kg	-	-	-	-	-	-	-	-	-	-	-	-	-
Boom : 4.72m 2-piece Arm : 2.5m Shoe : 600mm CWT : 3 200kg	7.5m kg	-	-	*5 310	*5 310	-	-	-	-	-	-	*4 030	*4 030	4.1
	6.0m kg	-	-	-	-	*4 690	3 950	-	-	-	-	*3 210	2 590	5.8
	4.5m kg	-	-	*4 100	*4 100	*4 890	3 860	3 910	2 440	-	-	*2 940	2 010	6.7
	3.0m kg	-	-	-	-	6 040	3 650	3 820	2 360	-	-	2 870	1 760	7.2
	1.5m kg	-	-	-	-	5 760	3 400	3 710	2 260	-	-	2 750	1 670	7.3
	0.0m kg	-	-	-	-	5 570	3 240	3 620	2 180	-	-	2 820	1 710	7.2
	-1.5m kg	-	-	*7 870	5 870	5 510	3 190	3 590	2 150	-	-	*3 110	1 900	6.6
	-3.0m kg	-	-	-	-	*3 840	3 240	-	-	-	-	-	-	-

Notes: 1. Machine in "Fine Mode-F" (Power Boost) for lifting capacities. 2. The above loads are in compliance with SAE J1097 and ISO 10567 Hydraulic Excavator Lifting Capacity Standards. 3. Rated loads do not exceed 87% of hydraulic lifting capacity or 75% of tipping load. 4. Rated loads marked with an asterisk (\*) are limited by hydraulic capacity rather than tipping load.



# Specifications

## LIFTING CAPACITY ECR145EL

Lifting capacity at the arm end without bucket.

For lifting capacity including bucket, simply subtract actual weight of the direct fit bucket or the bucket with quick coupler from the following values.

	Lifting hook related to ground level		1.5 m		3.0 m		4.5 m		6.0 m		7.5 m		Max. reach		
			Along UC	Across UC	Along UC	Across UC	Along UC	Across UC	Along UC	Across UC	Along UC	Across UC	Along UC	Across UC	m
Boom : 4.72m 2-piece Arm : 3.0m Shoe : 600mm CWT : 3 200kg	7.5m	kg	-	-	-	-	*3 980	3 940	-	-	-	-	*3 180	*3 180	5.0
	6.0m	kg	-	-	-	-	*3 770	*3 770	*3 530	2 460	-	-	*2 640	2 170	6.4
	4.5m	kg	-	-	-	-	*3 730	*3 730	3 920	2 440	-	-	*2 440	1 750	7.2
	3.0m	kg	-	-	-	-	*5 060	3 670	3 820	2 350	2 670	1 620	*2 390	1 550	7.7
	1.5m	kg	-	-	-	-	5 760	3 390	3 680	2 230	2 620	1 580	2 450	1 470	7.8
	0.0m	kg	-	-	-	-	5 520	3 190	3 570	2 120	2 580	1 540	2 500	1 490	7.7
	-1.5m	kg	-	-	*7 460	5 710	5 420	3 100	3 520	2 070	-	-	2 740	1 630	7.2
	-3.0m	kg	-	-	*6 170	5 800	*4 530	3 120	*2 830	2 110	-	-	*2 260	1 990	6.3
Boom : 4.72m 2-piece Arm : 2.1m Shoe : 600mm CWT : 3 200kg Dozer blade down	7.5m	kg	-	-	*6 240	*6 240	-	-	-	-	-	-	*5 300	*5 300	3.4
	6.0m	kg	-	-	*5 290	*5 290	*5 480	4 410	-	-	-	-	*3 950	3 380	5.3
	4.5m	kg	-	-	*5 480	*5 480	*5 690	4 330	*4 790	2 750	-	-	*3 580	2 550	6.3
	3.0m	kg	-	-	-	-	*6 320	4 120	*4 900	2 690	-	-	*3 500	2 220	6.8
	1.5m	kg	-	-	-	-	*6 780	3 890	*4 970	2 600	-	-	*3 630	2 110	6.9
	0.0m	kg	-	-	-	-	*6 530	3 760	*4 690	2 540	-	-	*3 750	2 160	6.8
	-1.5m	kg	-	-	*6 990	6 960	*5 410	3 740	*3 600	2 540	-	-	*3 190	2 430	6.2
	-3.0m	kg	-	-	-	-	-	-	-	-	-	-	-	-	-
Boom : 4.72m 2-piece Arm : 2.5m Shoe : 600mm CWT : 3 200kg Dozer blade down	7.5m	kg	-	-	*5 310	*5 310	-	-	-	-	-	-	*4 030	*4 030	4.1
	6.0m	kg	-	-	-	-	*4 690	4 470	-	-	-	-	*3 210	2 940	5.8
	4.5m	kg	-	-	*4 100	*4 100	*4 890	4 370	*4 570	2 770	-	-	*2 940	2 300	6.7
	3.0m	kg	-	-	-	-	*6 060	4 150	*4 760	2 700	-	-	*2 880	2 030	7.2
	1.5m	kg	-	-	-	-	*6 670	3 900	*4 930	2 590	-	-	*2 980	1 930	7.3
	0.0m	kg	-	-	-	-	*6 630	3 740	*4 790	2 510	-	-	*3 250	1 970	7.2
	-1.5m	kg	-	-	*7 870	6 860	*5 760	3 690	*4 030	2 490	-	-	*3 110	2 190	6.6
	-3.0m	kg	-	-	-	-	*3 840	3 740	-	-	-	-	-	-	5.7
Boom : 4.72m 2-piece Arm : 3.0m Shoe : 600mm CWT : 3 200kg Dozer blade down	7.5m	kg	-	-	-	-	*3 980	*3 980	-	-	-	-	*3 180	*3 180	5.0
	6.0m	kg	-	-	-	-	*3 770	*3 770	*3 530	2 800	-	-	*2 640	2 480	6.4
	4.5m	kg	-	-	-	-	*3 730	*3 730	*3 990	2 780	-	-	*2 440	2 010	7.2
	3.0m	kg	-	-	-	-	*5 060	4 190	*4 530	2 680	*3 170	1 870	*2 390	1 790	7.7
	1.5m	kg	-	-	-	-	*6 410	3 900	*4 790	2 560	*3 760	1 830	*2 460	1 710	7.8
	0.0m	kg	-	-	-	-	*6 630	3 690	*4 800	2 460	*3 470	1 790	*2 640	1 740	7.7
	-1.5m	kg	-	-	*7 460	6 700	*6 040	3 600	*4 310	2 410	-	-	*2 910	1 900	7.2
	-3.0m	kg	-	-	*6 170	*6 170	*4 530	3 620	*2 830	2 440	-	-	*2 260	*2 260	6.3
Boom : 4.6m Arm : 2.1m Shoe : 700mm CWT : 3 200kg	7.5m	kg	-	-	-	-	-	-	-	-	-	-	*5 360	*5 360	2.8
	6.0m	kg	-	-	*4 360	*4 360	*4 190	3 930	-	-	-	-	*4 220	3 340	5.0
	4.5m	kg	-	-	*5 220	*5 220	*4 360	3 870	3 920	2 450	-	-	3 900	2 440	6.0
	3.0m	kg	-	-	*7 560	6 810	*5 090	3 690	3 870	2 410	-	-	3 370	2 100	6.6
	1.5m	kg	-	-	-	-	5 840	3 480	3 780	2 330	-	-	3 200	1 980	6.7
	0.0m	kg	-	-	*5 520	*5 520	5 690	3 350	3 710	2 260	-	-	3 290	2 020	6.5
	-1.5m	kg	*5 200	*5 200	*8 140	6 100	5 650	3 320	-	-	-	-	3 750	2 290	5.9
	-3.0m	kg	-	-	*6 040	*6 040	*4 140	3 400	-	-	-	-	*3 610	3 090	4.8
Boom : 4.6m Arm : 2.5m Shoe : 700mm CWT : 3 200kg	7.5m	kg	-	-	*4 380	*4 380	-	-	-	-	-	-	*4 270	*4 270	3.7
	6.0m	kg	-	-	-	-	*3 750	*3 750	-	-	-	-	*3 440	2 890	5.5
	4.5m	kg	-	-	*4 420	*4 420	*4 000	3 900	*3 710	2 470	-	-	*3 220	2 200	6.4
	3.0m	kg	-	-	*6 780	*6 780	*4 770	3 710	3 830	2 400	-	-	3 050	1 910	6.9
	1.5m	kg	-	-	*6 310	6 270	*5 630	3 480	3 730	2 310	-	-	2 910	1 810	7.1
	0.0m	kg	-	-	*6 130	6 020	5 610	3 320	3 640	2 230	-	-	2 980	1 840	6.9
	-1.5m	kg	*4 770	*4 770	*8 600	5 990	5 550	3 270	3 620	2 210	-	-	3 340	2 050	6.4
	-3.0m	kg	*9 220	*9 220	*6 790	6 090	*4 680	3 310	-	-	-	-	*3 560	2 630	5.3
Boom : 4.6m Arm : 3.0m Shoe : 700mm CWT : 3 200kg	7.5m	kg	-	-	-	-	*3 460	*3 460	-	-	-	-	*3 360	*3 360	4.6
	6.0m	kg	-	-	-	-	*3 220	*3 220	*3 030	2 490	-	-	*2 830	2 430	6.1
	4.5m	kg	-	-	-	-	*3 510	*3 510	*3 350	2 480	-	-	*2 670	1 920	7.0
	3.0m	kg	-	-	*5 740	*5 740	*4 300	3 740	*3 650	2 400	-	-	*2 670	1 690	7.4
	1.5m	kg	-	-	-	-	*5 260	3 480	3 740	2 280	2 660	1 620	2 620	1 600	7.6
	0.0m	kg	-	-	*6 540	5 960	5 630	3 280	3 640	2 190	-	-	2 670	1 620	7.4
	-1.5m	kg	*4 120	*4 120	*8 920	5 870	5 520	3 190	3 580	2 140	-	-	2 940	1 770	6.9
	-3.0m	kg	*7 550	*7 550	*7 500	5 930	*5 090	3 200	-	-	-	-	*3 340	2 180	6.0
Boom : 4.6m Arm : 2.1m Shoe : 700mm CWT : 3 200kg Dozer blade down	7.5m	kg	-	-	-	-	-	-	-	-	-	-	*5 360	*5 360	2.8
	6.0m	kg	-	-	*4 360	*4 360	*4 190	3 930	-	-	-	-	*4 220	3 360	5.0
	4.5m	kg	-	-	*5 220	*5 220	*4 360	3 860	*3 980	2 840	-	-	*3 910	2 830	6.0
	3.0m	kg	-	-	*7 560	*7 560	*5 090	4 280	*4 150	2 800	-	-	*3 930	2 440	6.6
	1.5m	kg	-	-	-	-	*5 850	4 070	*4 410	2 710	-	-	*3 960	2 310	6.7
	0.0m	kg	-	-	*5 520	*5 520	*6 120	3 940	*4 450	2 650	-	-	*3 980	2 370	6.5
	-1.5m	kg	*5 200	*5 200	*8 140	7 280	*5 670	3 910	-	-	-	-	*3 930	2 680	5.9
	-3.0m	kg	-	-	*6 040	*6 040	*4 140	3 990	-	-	-	-	*3 610	3 610	4.8

Notes: 1. Machine in "Fine Mode-F" (Power Boost) for lifting capacities. 2. The above loads are in compliance with SAE J1097 and ISO 10567 Hydraulic Excavator Lifting Capacity Standards. 3. Rated loads do not exceed 87% of hydraulic lifting capacity or 75% of tipping load. 4. Rated loads marked with an asterisk (\*) are limited by hydraulic capacity rather than tipping load.

## LIFTING CAPACITY ECR145EL

Lifting capacity at the arm end without bucket.

For lifting capacity including bucket, simply subtract actual weight of the direct fit bucket or the bucket with quick coupler from the following values.

	Lifting hook related to ground level	1.5 m		3.0 m		4.5 m		6.0 m		7.5 m		Max. reach		m
		Along UC	Across UC	Along UC	Across UC	Along UC	Across UC	Along UC	Across UC	Along UC	Across UC	Along UC	Across UC	
Boom : 4.6m	7.5m kg	-	-	*4 380	*4 380	-	-	-	-	-	-	*4 270	*4 270	3.7
Arm : 2.5m	6.0m kg	-	-	-	-	*3 750	*3 750	-	-	-	-	*3 440	3 350	5.5
Shoe : 700mm	4.5m kg	-	-	*4 420	*4 420	*4 000	*4 000	*3 710	2 870	-	-	*3 220	2 570	6.4
CWT : 3 200kg	3.0m kg	-	-	*6 780	*6 780	*4 770	4 320	*3 950	2 800	-	-	*3 240	2 240	6.9
Dozer blade down	1.5m kg	-	-	-	-	*5 630	4 080	*4 280	2 710	-	-	*3 440	2 120	7.1
	0.0m kg	-	-	*6 130	*6 130	*6 060	3 920	*4 430	2 630	-	-	*3 730	2 170	6.9
	-1.5m kg	*4 770	*4 770	*8 600	7 200	*5 820	3 870	*4 130	2 600	-	-	*3 730	2 410	6.4
	-3.0m kg	*9 220	*9 220	*6 790	*6 790	*4 680	3 910	-	-	-	-	*3 560	3 100	5.3
Boom : 4.6m	7.5m kg	-	-	-	-	*3 460	*3 460	-	-	-	-	*3 360	*3 360	4.6
Arm : 3.0m	6.0m kg	-	-	-	-	*3 220	*3 220	*3 030	2 880	-	-	*2 830	2 810	6.1
Shoe : 700mm	4.5m kg	-	-	-	-	*3 510	*3 510	*3 350	2 880	-	-	*2 670	2 240	7.0
CWT : 3 200kg	3.0m kg	-	-	*5 740	*5 740	*4 300	*4 300	*3 650	2 790	-	-	*2 670	1 980	7.4
Dozer blade down	1.5m kg	-	-	-	-	*5 260	4 080	*4 050	2 670	*3 120	1 910	*2 810	1 880	7.6
	0.0m kg	-	-	*6 540	*6 540	*5 880	3 870	*4 320	2 580	-	-	*3 110	1 910	7.4
	-1.5m kg	*4 120	*4 120	*8 920	7 050	*5 880	3 780	*4 220	2 530	-	-	*3 410	2 090	6.9
	-3.0m kg	*7 550	*7 550	*7 500	7 110	*5 090	3 790	-	-	-	-	*3 340	2 570	6.0
	-4.5m kg	-	-	*4 580	*4 580	-	-	-	-	-	-	*2 830	*2 830	4.4
Boom : 4.72m 2-piece	7.5m kg	-	-	*6 240	*6 240	-	-	-	-	-	-	*5 300	*5 300	3.4
Arm : 2.1m	6.0m kg	-	-	*5 290	*5 290	*5 480	3 960	-	-	-	-	*3 950	3 030	5.3
Shoe : 700mm	4.5m kg	-	-	*5 480	*5 480	*5 690	3 880	3 950	2 460	-	-	*3 580	2 280	6.3
CWT : 3 200kg	3.0m kg	-	-	-	-	6 110	3 670	3 890	2 400	-	-	3 200	1 970	6.8
	1.5m kg	-	-	-	-	5 850	3 450	3 790	2 310	-	-	3 050	1 870	6.9
	0.0m kg	-	-	-	-	5 700	3 320	3 720	2 250	-	-	3 150	1 920	6.8
	-1.5m kg	-	-	*6 990	6 080	*5 410	3 300	*3 600	2 250	-	-	*3 190	2 160	6.2
Boom : 4.72m 2-piece	7.5m kg	-	-	*5 310	*5 310	-	-	-	-	-	-	*4 030	*4 030	4.1
Arm : 2.5m	6.0m kg	-	-	-	-	*4 690	4 020	-	-	-	-	*3 210	2 630	5.8
Shoe : 700mm	4.5m kg	-	-	*4 100	*4 100	*4 890	3 930	3 980	2 480	-	-	*2 940	2 050	6.7
CWT : 3 200kg	3.0m kg	-	-	-	-	*6 060	3 710	3 900	2 400	-	-	*2 880	1 800	7.2
	1.5m kg	-	-	-	-	5 870	3 470	3 780	2 300	-	-	2 810	1 710	7.3
	0.0m kg	-	-	-	-	5 680	3 300	3 700	2 220	-	-	2 880	1 750	7.2
	-1.5m kg	-	-	*7 870	5 990	*5 630	3 250	3 670	2 200	-	-	*3 110	1 940	6.6
	-3.0m kg	-	-	-	-	*3 840	3 310	-	-	-	-	-	-	5.7
Boom : 4.72m 2-piece	7.5m kg	-	-	-	-	*3 980	*3 980	-	-	-	-	*3 180	*3 180	5.0
Arm : 3.0m	6.0m kg	-	-	-	-	*3 770	*3 770	*3 530	2 510	-	-	*2 640	2 220	6.4
Shoe : 700mm	4.5m kg	-	-	-	-	*3 730	*3 730	*3 990	2 490	-	-	*2 440	1 780	7.2
CWT : 3 200kg	3.0m kg	-	-	-	-	*5 060	3 740	3 890	2 390	2 720	1 650	*2 390	1 580	7.7
	1.5m kg	-	-	-	-	5 880	3 460	3 760	2 270	2 670	1 610	*2 460	1 500	7.8
	0.0m kg	-	-	-	-	5 640	3 250	3 640	2 170	2 630	1 570	2 560	1 530	7.7
	-1.5m kg	-	-	*7 460	5 830	5 530	3 160	3 590	2 120	-	-	2 800	1 670	7.2
	-3.0m kg	-	-	*6 170	5 910	*4 530	3 180	*2 830	2 150	-	-	*2 260	2 030	6.3
Boom : 4.72m 2-piece	7.5m kg	-	-	*6 240	*6 240	-	-	-	-	-	-	*5 300	*5 300	3.4
Arm : 2.1m	6.0m kg	-	-	*5 290	*5 290	*5 480	4 570	-	-	-	-	*3 950	3 500	5.3
Shoe : 700mm	4.5m kg	-	-	*5 480	*5 480	*5 690	4 490	*4 790	2 860	-	-	*3 580	2 650	6.3
CWT : 3 200kg	3.0m kg	-	-	-	-	*6 320	4 280	*4 900	2 790	-	-	*3 500	2 310	6.8
Dozer blade down	1.5m kg	-	-	-	-	*6 780	4 050	*4 970	2 700	-	-	*3 630	2 190	6.9
	0.0m kg	-	-	-	-	*6 530	3 920	*4 690	2 640	-	-	*3 750	2 250	6.8
	-1.5m kg	-	-	*6 990	*6 990	*5 410	3 890	*3 600	2 640	-	-	*3 190	2 530	6.2
Boom : 4.72m 2-piece	7.5m kg	-	-	*5 310	*5 310	-	-	-	-	-	-	*4 030	*4 030	4.1
Arm : 2.5m	6.0m kg	-	-	-	-	*4 690	4 630	-	-	-	-	*3 210	3 050	5.8
Shoe : 700mm	4.5m kg	-	-	*4 100	*4 100	*4 890	4 540	*4 570	2 880	-	-	*2 940	2 390	6.7
CWT : 3 200kg	3.0m kg	-	-	-	-	*6 060	4 310	*4 760	2 800	-	-	*2 880	2 110	7.2
Dozer blade down	1.5m kg	-	-	-	-	*6 670	4 060	*4 930	2 700	-	-	*2 980	2 010	7.3
	0.0m kg	-	-	-	-	*6 630	3 900	*4 790	2 620	-	-	*3 250	2 060	7.2
	-1.5m kg	-	-	*7 870	7 180	*5 760	3 850	*4 030	2 590	-	-	*3 110	2 280	6.6
	-3.0m kg	-	-	-	-	*3 840	*3 840	-	-	-	-	-	-	5.7
Boom : 4.72m 2-piece	7.5m kg	-	-	-	-	*3 980	*3 980	-	-	-	-	*3 180	*3 180	5.0
Arm : 3.0m	6.0m kg	-	-	-	-	*3 770	*3 770	*3 530	2 910	-	-	*2 640	2 580	6.4
Shoe : 700mm	4.5m kg	-	-	-	-	*3 730	*3 730	*3 990	2 890	-	-	*2 440	2 090	7.2
CWT : 3 200kg	3.0m kg	-	-	-	-	*5 060	4 350	*4 530	2 790	*3 170	1 950	*2 390	1 860	7.7
Dozer blade down	1.5m kg	-	-	-	-	*6 410	4 060	*4 790	2 670	*3 760	1 900	*2 460	1 780	7.8
	0.0m kg	-	-	-	-	*6 630	3 850	*4 800	2 560	*3 470	1 870	*2 640	1 810	7.7
	-1.5m kg	-	-	*7 460	7 020	*6 040	3 760	*4 310	2 510	-	-	*2 910	1 980	7.2
	-3.0m kg	-	-	*6 170	*6 170	*4 530	3 780	*2 830	2 550	-	-	*2 260	*2 260	6.3

Notes: 1. Machine in "Fine Mode-F" (Power Boost) for lifting capacities. 2. The above loads are in compliance with SAE J1097 and ISO 10567 Hydraulic Excavator Lifting Capacity Standards. 3. Rated loads do not exceed 87% of hydraulic lifting capacity or 75% of tipping load. 4. Rated loads marked with an asterisk (\*) are limited by hydraulic capacity rather than tipping load.

# Specifications

## LIFTING CAPACITY ECR235EL

Lifting capacity at the arm end without bucket.

For lifting capacity including bucket, simply subtract actual weight of the direct fit bucket or the bucket with quick coupler from the following values.

	Lifting hook related to ground level	1.5 m		3.0 m		4.5 m		6.0 m		7.5 m		Max. reach		m
		Along UC	Across UC	Along UC	Across UC	Along UC	Across UC	Along UC	Across UC	Along UC	Across UC	Along UC	Across UC	
Boom : 5.7m Arm : 2.5m Shoe : 600mm CWT : 6 200kg	9.0m kg	-	-	*8 380	*8 380	-	-	-	-	-	-	*8 380	*8 380	3.1
	7.5m kg	-	-	-	-	*6 890	*6 890	-	-	-	-	*6 680	*6 240	5.5
	6.0m kg	-	-	-	-	*7 210	*7 210	*6 880	5 370	-	-	*6 230	4 430	6.7
	4.5m kg	-	-	*11 790	*11 790	*8 700	8 140	*7 430	5 210	-	-	5 800	3 660	7.5
	3.0m kg	-	-	-	-	*10 880	7 550	8 030	4 970	5 670	3 550	5 260	3 290	7.9
	1.5m kg	-	-	-	-	12 280	7 050	7 760	4 730	5 550	3 440	5 070	3 150	8.0
	0.0m kg	-	-	-	-	11 980	6 810	7 580	4 560	5 470	3 360	5 190	3 200	7.8
	-1.5m kg	-	-	*11 650	*11 650	11 920	6 760	7 510	4 500	-	-	5 700	3 490	7.3
	-3.0m kg	-	-	*15 910	13 350	*11 700	6 840	7 580	4 560	-	-	6 960	4 230	6.4
	-4.5m kg	-	-	*11 740	*11 740	*8 570	7 110	-	-	-	-	*7 760	6 380	4.9
Boom : 5.7m Arm : 2.9m Shoe : 600mm CWT : 6 200kg	9.0m kg	-	-	-	-	-	-	-	-	-	-	*5 830	*5 830	4.0
	7.5m kg	-	-	-	-	*6 150	*6 150	*4 920	*4 920	-	-	*4 830	*4 830	6.0
	6.0m kg	-	-	-	-	*6 530	*6 530	*6 380	5 430	-	-	*4 530	4 000	7.2
	4.5m kg	-	-	*10 230	*10 230	*8 010	*8 010	*7 000	5 260	5 810	3 680	*4 490	3 370	7.9
	3.0m kg	-	-	-	-	*10 230	7 670	*8 000	5 000	5 690	3 570	*4 650	3 050	8.3
	1.5m kg	-	-	-	-	*12 250	7 130	7 790	4 740	5 550	3 440	4 720	2 930	8.4
	0.0m kg	-	-	*6 180	*6 180	11 990	6 810	7 570	4 550	5 450	3 340	4 810	2 960	8.2
	-1.5m kg	*6 750	*6 750	*10 980	*10 980	11 870	6 710	7 470	4 470	5 400	3 300	5 220	3 200	7.7
	-3.0m kg	*11 760	*11 760	*17 000	13 180	11 930	6 760	7 500	4 490	-	-	6 200	3 780	6.8
	-4.5m kg	-	-	*13 310	*13 310	*9 670	6 960	-	-	-	-	*7 590	5 280	5.5
Boom : 5.7m Arm : 2.5m Shoe : 600mm CWT : 6 200kg Dozer blade down	9.0m kg	-	-	*8 380	*8 380	-	-	-	-	-	-	*8 380	*8 380	3.1
	7.5m kg	-	-	-	-	*6 890	*6 890	-	-	-	-	*6 680	*6 680	5.5
	6.0m kg	-	-	-	-	*7 210	*7 210	*6 880	5 940	-	-	*6 230	4 920	6.7
	4.5m kg	-	-	*11 790	*11 790	*8 700	*8 700	*7 430	5 790	-	-	*6 200	4 080	7.5
	3.0m kg	-	-	-	-	*10 880	8 440	*8 380	5 540	*7 220	3 980	*6 460	3 690	7.9
	1.5m kg	-	-	-	-	*12 700	7 940	*9 290	5 300	*7 610	3 860	*7 010	3 540	8.0
	0.0m kg	-	-	-	-	*13 390	7 690	*9 820	5 130	*7 790	3 780	*7 490	3 600	7.8
	-1.5m kg	-	-	*11 650	*11 650	*13 040	7 630	*9 720	5 070	-	-	*7 740	3 930	7.3
	-3.0m kg	-	-	*15 910	15 230	*11 700	7 720	*8 660	5 130	-	-	*7 950	4 750	6.4
	-4.5m kg	-	-	*11 740	*11 740	*8 570	7 990	-	-	-	-	*7 760	7 160	4.9
Boom : 5.7m Arm : 2.9m Shoe : 600mm CWT : 6 200kg Dozer blade down	9.0m kg	-	-	-	-	-	-	-	-	-	-	*5 830	*5 830	4.0
	7.5m kg	-	-	-	-	*6 150	*6 150	*4 920	*4 920	-	-	*4 830	*4 830	6.0
	6.0m kg	-	-	-	-	*6 530	*6 530	*6 380	6 010	-	-	*4 530	4 450	7.2
	4.5m kg	-	-	*10 230	*10 230	*8 010	*8 010	*7 000	5 840	*6 170	4 100	*4 490	3 770	7.9
	3.0m kg	-	-	-	-	*10 230	8 570	*8 000	5 580	*6 940	3 990	*4 650	3 420	8.3
	1.5m kg	-	-	-	-	*12 250	8 010	*9 020	5 320	*7 410	3 860	*4 990	3 290	8.4
	0.0m kg	-	-	*6 180	*6 180	*13 250	7 690	*9 680	5 120	*7 720	3 760	*5 610	3 340	8.2
	-1.5m kg	*6 750	*6 750	*10 980	*10 980	*13 190	7 590	*9 770	5 030	*7 580	3 720	*6 740	3 610	7.7
	-3.0m kg	*11 760	*11 760	*17 000	15 060	*12 150	7 640	*9 040	5 060	-	-	*7 560	4 250	6.8
	-4.5m kg	-	-	*13 310	*13 310	*9 670	7 840	-	-	-	-	*7 590	5 940	5.5
Boom : 5.76m 2-piece Arm : 2.5m Shoe : 600mm CWT : 6 200kg	9.0m kg	-	-	*9 840	*9 840	-	-	-	-	-	-	*8 670	*8 670	3.6
	7.5m kg	-	-	*8 290	*8 290	*8 730	8 620	-	-	-	-	*6 830	5 680	5.7
	6.0m kg	-	-	*7 680	*7 680	*8 800	8 480	8 460	5 290	-	-	*6 280	4 120	6.9
	4.5m kg	-	-	-	-	*11 340	8 030	8 270	5 130	5 740	3 580	5 530	3 440	7.7
	3.0m kg	-	-	-	-	*12 760	7 400	7 980	4 870	5 640	3 480	5 040	3 110	8.1
	1.5m kg	-	-	-	-	12 180	6 900	7 710	4 630	5 520	3 380	4 880	2 990	8.1
	0.0m kg	-	-	-	-	11 920	6 690	7 540	4 480	5 440	3 310	5 010	3 060	8.0
	-1.5m kg	-	-	*9 780	*9 780	*10 700	6 680	7 500	4 440	-	-	5 500	3 340	7.5
	-3.0m kg	-	-	-	-	*7 710	6 810	*5 820	4 530	-	-	-	-	6.6
	-4.5m kg	-	-	*7 890	*7 890	-	-	-	-	-	-	*5 990	*5 990	4.4
Boom : 5.76m 2-piece Arm : 2.9m Shoe : 600mm CWT : 6 200kg	9.0m kg	-	-	-	-	*7 010	*7 010	*5 930	5 360	-	-	*4 920	*4 920	6.3
	7.5m kg	-	-	*6 060	*6 060	*7 010	*7 010	*7 170	5 360	-	-	*4 550	3 730	7.4
	6.0m kg	-	-	*9 910	*9 910	*9 130	8 160	8 340	5 180	5 780	3 610	*4 440	3 160	8.1
	4.5m kg	-	-	-	-	*12 360	7 530	8 030	4 910	5 660	3 500	*4 520	2 880	8.5
	3.0m kg	-	-	-	-	12 270	6 970	7 730	4 640	5 520	3 370	4 540	2 770	8.5
	1.5m kg	-	-	-	-	11 920	6 680	7 530	4 460	5 420	3 280	4 640	2 820	8.4
	0.0m kg	-	-	-	-	11 920	6 680	7 530	4 460	5 420	3 280	4 640	2 820	8.4
	-1.5m kg	-	-	*9 410	*9 410	*11 330	6 620	7 450	4 400	5 400	3 260	5 040	3 060	7.9
	-3.0m kg	-	-	-	-	*8 660	6 720	*6 620	4 450	-	-	*4 660	3 600	7.1

Notes: 1. Machine in "Fine Mode-F" (Power Boost) for lifting capacities. 2. The above loads are in compliance with SAE J1097 and ISO 10567 Hydraulic Excavator Lifting Capacity Standards. 3. Rated loads do not exceed 87% of hydraulic lifting capacity or 75% of tipping load. 4. Rated loads marked with an asterisk (\*) are limited by hydraulic capacity rather than tipping load.

## LIFTING CAPACITY ECR235EL

Lifting capacity at the arm end without bucket.

For lifting capacity including bucket, simply subtract actual weight of the direct fit bucket or the bucket with quick coupler from the following values.

	Lifting hook related to ground level	1.5 m		3.0 m		4.5 m		6.0 m		7.5 m		Max. reach		m
		Along UC	Across UC	Along UC	Across UC	Along UC	Across UC	Along UC	Across UC	Along UC	Across UC	Along UC	Across UC	
Boom : 5.76m 2-piece Arm : 2.5m Shoe : 600mm CWT : 6 200kg Dozer blade down	9.0m kg	-	-	*9 840	*9 840	-	-	-	-	-	-	*8 670	*8 670	3.6
	7.5m kg	-	-	*8 290	*8 290	*8 730	*8 730	-	-	-	-	*6 830	6 310	5.7
	6.0m kg	-	-	*7 680	*7 680	*8 800	*8 800	*8 660	5 880	-	-	*6 280	4 590	6.9
	4.5m kg	-	-	-	-	*11 340	8 930	*9 040	5 710	*7 290	4 000	*6 140	3 850	7.7
	3.0m kg	-	-	-	-	*12 760	8 300	*9 570	5 450	*7 760	3 910	*6 280	3 500	8.1
	1.5m kg	-	-	-	-	*13 350	7 790	*9 840	5 200	*7 710	3 800	*6 680	3 370	8.1
	0.0m kg	-	-	-	-	*12 570	7 570	*9 490	5 050	*7 210	3 730	*6 450	3 450	8.0
	-1.5m kg	-	-	*9 780	*9 780	*10 700	7 560	*8 290	5 010	-	-	*5 810	3 770	7.5
-3.0m kg	-	-	-	-	*7 710	7 700	*5 820	5 110	-	-	-	-	-	6.6
Boom : 5.76m 2-piece Arm : 2.9m Shoe : 600mm CWT : 6 200kg Dozer blade down	9.0m kg	-	-	*7 890	*7 890	-	-	-	-	-	-	*5 990	*5 990	4.4
	7.5m kg	-	-	-	-	*7 010	*7 010	*5 930	*5 930	-	-	*4 920	*4 920	6.3
	6.0m kg	-	-	*6 060	*6 060	*7 010	*7 010	*7 170	5 950	-	-	*4 550	4 160	7.4
	4.5m kg	-	-	*9 910	*9 910	*9 130	9 070	*8 480	5 760	*6 780	4 040	*4 440	3 550	8.1
	3.0m kg	-	-	-	-	*12 360	8 430	*9 360	5 490	*7 660	3 920	*4 520	3 240	8.5
	1.5m kg	-	-	-	-	*13 270	7 860	*9 770	5 220	*7 710	3 790	*4 760	3 130	8.5
	0.0m kg	-	-	-	-	*12 890	7 570	*9 610	5 040	*7 400	3 700	*5 240	3 190	8.4
	-1.5m kg	-	-	*9 410	*9 410	*11 330	7 500	*8 660	4 970	*6 370	3 680	*5 610	3 450	7.9
-3.0m kg	-	-	-	-	*8 660	7 600	*6 620	5 020	-	-	*4 660	4 060	7.1	
Boom : 5.7m Arm : 2.5m Shoe : 700mm CWT : 6 200kg	9.0m kg	-	-	*8 380	*8 380	-	-	-	-	-	-	*8 380	*8 380	3.1
	7.5m kg	-	-	-	-	*6 890	*6 890	-	-	-	-	*6 680	6 350	5.5
	6.0m kg	-	-	-	-	*7 210	*7 210	*6 880	5 460	-	-	*6 230	4 510	6.7
	4.5m kg	-	-	*11 790	*11 790	*8 700	8 280	*7 430	5 310	-	-	*5 920	3 730	7.5
	3.0m kg	-	-	-	-	*10 880	7 690	8 190	5 060	5 790	3 630	5 370	3 360	7.9
	1.5m kg	-	-	-	-	12 520	7 190	7 920	4 820	5 670	3 520	5 180	3 220	8.0
	0.0m kg	-	-	-	-	12 230	6 950	7 740	4 660	5 580	3 440	5 310	3 270	7.8
	-1.5m kg	-	-	*11 650	*11 650	12 170	6 900	7 670	4 600	-	-	5 820	3 570	7.3
-3.0m kg	-	-	*15 910	13 610	*11 700	6 980	7 740	4 660	-	-	7 110	4 320	6.4	
-4.5m kg	-	-	*11 740	*11 740	*8 570	7 250	-	-	-	-	*7 760	6 510	4.9	
Boom : 5.7m Arm : 2.9m Shoe : 700mm CWT : 6 200kg	9.0m kg	-	-	-	-	-	-	-	-	-	-	*5 830	*5 830	4.0
	7.5m kg	-	-	-	-	*6 150	*6 150	*4 920	*4 920	-	-	*4 830	*4 830	6.0
	6.0m kg	-	-	-	-	*6 530	*6 530	*6 380	5 520	-	-	*5 530	4 080	7.2
	4.5m kg	-	-	*10 230	*10 230	*8 010	*8 010	*7 000	5 360	5 930	3 750	*4 490	3 440	7.9
	3.0m kg	-	-	-	-	*10 230	7 810	*8 000	5 100	5 810	3 640	*4 650	3 120	8.3
	1.5m kg	-	-	-	-	*12 250	7 260	7 950	4 840	5 670	3 510	4 820	2 990	8.4
	0.0m kg	-	-	*6 180	*6 180	12 240	6 950	7 730	4 650	5 560	3 410	4 920	3 030	8.2
	-1.5m kg	*6 750	*6 750	*10 980	*10 980	12 120	6 850	7 630	4 560	5 520	3 380	5 340	3 270	7.7
-3.0m kg	*11 760	*11 760	*17 000	13 440	*12 150	6 900	7 660	4 580	-	-	6 330	3 860	6.8	
-4.5m kg	-	-	*13 310	*13 310	*9 670	7 100	-	-	-	-	*7 590	5 390	5.5	
Boom : 5.7m Arm : 2.5m Shoe : 700mm CWT : 6 200kg Dozer blade down	9.0m kg	-	-	*8 380	*8 380	-	-	-	-	-	-	*8 380	*8 380	3.1
	7.5m kg	-	-	-	-	*6 890	*6 890	-	-	-	-	*6 680	*6 680	5.5
	6.0m kg	-	-	-	-	*7 210	*7 210	*6 880	6 150	-	-	*6 230	5 090	6.7
	4.5m kg	-	-	*11 790	*11 790	*8 700	*8 700	*7 430	5 990	-	-	*6 200	4 240	7.5
	3.0m kg	-	-	-	-	*10 880	8 770	*8 380	5 750	*7 220	4 130	*6 460	3 830	7.9
	1.5m kg	-	-	-	-	*12 700	8 260	*9 290	5 500	*7 610	4 020	*7 010	3 680	8.0
	0.0m kg	-	-	-	-	*13 390	8 010	*9 820	5 340	*7 790	3 930	*7 490	3 750	7.8
	-1.5m kg	-	-	*11 650	*11 650	*13 040	7 950	*9 720	5 270	-	-	*7 740	4 090	7.3
-3.0m kg	-	-	*15 910	*15 910	*11 700	8 040	*8 660	5 330	-	-	*7 950	4 940	6.4	
-4.5m kg	-	-	*11 740	*11 740	*8 570	8 310	-	-	-	-	*7 760	7 450	4.9	
Boom : 5.7m Arm : 2.9m Shoe : 700mm CWT : 6 200kg Dozer blade down	9.0m kg	-	-	-	-	-	-	-	-	-	-	*5 830	*5 830	4.0
	7.5m kg	-	-	-	-	*6 150	*6 150	*4 920	*4 920	-	-	*4 830	*4 830	6.0
	6.0m kg	-	-	-	-	*6 530	*6 530	*6 380	6 220	-	-	*4 530	*4 530	7.2
	4.5m kg	-	-	*10 230	*10 230	*8 010	*8 010	*7 000	6 050	*6 170	4 250	*4 490	3 910	7.9
	3.0m kg	-	-	-	-	*10 230	8 890	*8 000	5 790	*6 940	4 140	*4 650	3 560	8.3
	1.5m kg	-	-	-	-	*12 250	8 330	*9 020	5 520	*7 410	4 010	*4 990	3 420	8.4
	0.0m kg	-	-	*6 180	*6 180	*13 250	8 010	*9 680	5 330	*7 720	3 910	*5 610	3 470	8.2
	-1.5m kg	*6 750	*6 750	*10 980	*10 980	*13 190	7 910	*9 770	5 240	*7 580	3 870	*6 740	3 750	7.7
-3.0m kg	*11 760	*11 760	*17 000	15 750	*12 150	7 950	*9 040	5 260	-	-	*7 560	4 420	6.8	
-4.5m kg	-	-	*13 310	*13 310	*9 670	8 160	-	-	-	-	*7 590	6 170	5.5	

Notes: 1. Machine in "Fine Mode-F" (Power Boost) for lifting capacities. 2. The above loads are in compliance with SAE J1097 and ISO 10567 Hydraulic Excavator Lifting Capacity Standards. 3. Rated loads do not exceed 87% of hydraulic lifting capacity or 75% of tipping load. 4. Rated loads marked with an asterisk (\*) are limited by hydraulic capacity rather than tipping load.

# Specifications

## LIFTING CAPACITY ECR235EL

Lifting capacity at the arm end without bucket.

For lifting capacity including bucket, simply subtract actual weight of the direct fit bucket or the bucket with quick coupler from the following values.

	Lifting hook related to ground level		1.5 m		3.0 m		4.5 m		6.0 m		7.5 m		Max. reach		
			Along UC	Across UC	Along UC	Across UC	Along UC	Across UC	Along UC	Across UC	Along UC	Across UC	Along UC	Across UC	m
Boom : 5.76m 2-piece Arm : 2.5m Shoe : 700mm CWT : 6 200kg	9.0m	kg	-	-	*9 840	*9 840	-	-	-	-	-	-	*8 670	*8 670	3.6
	7.5m	kg	-	-	*8 290	*8 290	*8 730	*8 730	-	-	-	-	*6 830	5 790	5.7
	6.0m	kg	-	-	*7 680	*7 680	*8 800	8 620	8 620	5 390	-	-	*6 280	4 200	6.9
	4.5m	kg	-	-	-	-	*11 340	8 170	8 430	5 220	5 860	3 650	5 640	3 510	7.7
	3.0m	kg	-	-	-	-	*12 760	7 540	8 140	4 960	5 760	3 560	5 140	3 170	8.1
	1.5m	kg	-	-	-	-	12 430	7 040	7 870	4 720	5 640	3 450	4 990	3 060	8.1
	0.0m	kg	-	-	-	-	12 170	6 830	7 700	4 570	5 560	3 380	5 120	3 120	8.0
	-1.5m	kg	-	-	*9 780	*9 780	*10 700	6 820	7 660	4 540	-	-	5 620	3 420	7.5
	-3.0m	kg	-	-	-	-	*7 710	6 950	*5 820	4 630	-	-	-	-	6.6
Boom : 5.76m 2-piece Arm : 2.9m Shoe : 700mm CWT : 6 200kg	9.0m	kg	-	-	*7 890	*7 890	-	-	-	-	-	-	*5 990	*5 990	4.4
	7.5m	kg	-	-	-	-	*7 010	*7 010	*5 930	5 460	-	-	*4 920	*4 920	6.3
	6.0m	kg	-	-	*6 060	*6 060	*7 010	*7 010	*7 170	5 460	-	-	*4 550	3 800	7.4
	4.5m	kg	-	-	*9 910	*9 910	*9 130	8 300	*8 480	5 280	5 900	3 680	*4 440	3 230	8.1
	3.0m	kg	-	-	-	-	*12 360	7 670	8 190	5 000	5 770	3 570	*4 520	2 940	8.5
	1.5m	kg	-	-	-	-	12 520	7 110	7 890	4 740	5 640	3 440	4 640	2 830	8.5
	0.0m	kg	-	-	-	-	12 170	6 820	7 690	4 560	5 530	3 350	4 740	2 890	8.4
	-1.5m	kg	-	-	*9 410	*9 410	*11 330	6 760	7 610	4 490	5 510	3 330	5 150	3 120	7.9
	-3.0m	kg	-	-	-	-	*8 660	6 860	*6 620	4 550	-	-	*4 660	3 680	7.1
Boom : 5.76m 2-piece Arm : 2.5m Shoe : 700mm CWT : 6 200kg Dozer blade down	9.0m	kg	-	-	*9 840	*9 840	-	-	-	-	-	-	*8 670	*8 670	3.6
	7.5m	kg	-	-	*8 290	*8 290	*8 730	*8 730	-	-	-	-	*6 830	6 530	5.7
	6.0m	kg	-	-	*7 680	*7 680	*8 800	*8 800	*8 660	6 090	-	-	*6 280	4 760	6.9
	4.5m	kg	-	-	-	-	*11 340	9 260	*9 040	5 910	*7 290	4 150	*6 140	4 000	7.7
	3.0m	kg	-	-	-	-	*12 760	8 620	*9 570	5 650	*7 760	4 060	*6 280	3 630	8.1
	1.5m	kg	-	-	-	-	*13 350	8 110	*9 840	5 410	*7 710	3 950	*6 680	3 510	8.1
	0.0m	kg	-	-	-	-	*12 570	7 890	*9 490	5 260	*7 210	3 880	*6 450	3 590	8.0
	-1.5m	kg	-	-	*9 780	*9 780	*10 700	7 880	*8 290	5 220	-	-	*5 810	3 920	7.5
	-3.0m	kg	-	-	-	-	*7 710	*7 710	*5 820	5 310	-	-	-	-	6.6
Boom : 5.76m 2-piece Arm : 2.9m Shoe : 700mm CWT : 6 200kg Dozer blade down	9.0m	kg	-	-	*7 890	*7 890	-	-	-	-	-	-	*5 990	*5 990	4.4
	7.5m	kg	-	-	-	-	*7 010	*7 010	*5 930	5 930	-	-	*4 920	*4 920	6.3
	6.0m	kg	-	-	*6 060	*6 060	*7 010	*7 010	*7 170	6 160	-	-	*4 550	4 320	7.4
	4.5m	kg	-	-	*9 910	*9 910	*9 130	*9 130	*8 480	5 970	*6 780	4 190	*4 440	3 680	8.1
	3.0m	kg	-	-	-	-	*12 360	8 750	*9 360	5 700	*7 660	4 070	*4 520	3 370	8.5
	1.5m	kg	-	-	-	-	*13 270	8 180	*9 770	5 430	*7 710	3 950	*4 760	3 260	8.5
	0.0m	kg	-	-	-	-	*12 890	7 890	*9 610	5 240	*7 400	3 850	*5 240	3 320	8.4
	-1.5m	kg	-	-	*9 410	*9 410	*11 330	7 820	*8 660	5 180	*6 370	3 830	*5 610	3 590	7.9
	-3.0m	kg	-	-	-	-	*8 660	7 920	*6 620	5 230	-	-	*4 660	4 230	7.1
Boom : 5.7m Arm : 2.5m Shoe : 800mm CWT : 6 200kg	9.0m	kg	-	-	*8 380	*8 380	-	-	-	-	-	-	*8 380	*8 380	3.1
	7.5m	kg	-	-	-	-	*6 890	*6 890	-	-	-	-	*6 680	6 410	5.5
	6.0m	kg	-	-	-	-	*7 210	*7 210	*6 880	5 520	-	-	*6 230	4 560	6.7
	4.5m	kg	-	-	*11 790	*11 790	*8 700	8 360	*7 430	5 360	-	-	5 990	3 780	7.5
	3.0m	kg	-	-	-	-	*10 880	7 780	8 290	5 120	5 860	3 670	5 430	3 400	7.9
	1.5m	kg	-	-	-	-	12 670	7 280	8 020	4 880	5 740	3 560	5 250	3 260	8.0
	0.0m	kg	-	-	-	-	12 380	7 030	7 830	4 710	5 650	3 480	5 370	3 310	7.8
	-1.5m	kg	-	-	*11 650	*11 650	12 310	6 980	7 760	4 650	-	-	5 900	3 610	7.3
	-3.0m	kg	-	-	*15 910	13 760	*11 700	7 060	7 830	4 710	-	-	7 190	4 370	6.4
Boom : 5.7m Arm : 2.9m Shoe : 800mm CWT : 6 200kg	9.0m	kg	-	-	-	-	-	-	-	-	-	-	*5 830	*5 830	4.0
	7.5m	kg	-	-	-	-	*6 150	*6 150	*4 920	*4 920	-	-	*4 830	*4 830	6.0
	6.0m	kg	-	-	-	-	*6 530	*6 530	*6 380	5 580	-	-	*4 530	4 130	7.2
	4.5m	kg	-	-	*10 230	*10 230	*8 010	*8 010	*7 000	5 410	6 000	3 790	*4 490	3 480	7.9
	3.0m	kg	-	-	-	-	*10 230	7 900	*8 000	5 160	5 880	3 680	*4 650	3 150	8.3
	1.5m	kg	-	-	-	-	*12 250	7 350	8 040	4 900	5 740	3 560	4 880	3 030	8.4
	0.0m	kg	-	-	*6 180	*6 180	12 390	7 040	7 830	4 710	5 630	3 460	4 980	3 070	8.2
	-1.5m	kg	*6 750	*6 750	*10 980	*10 980	12 270	6 940	7 730	4 620	5 590	3 420	5 400	3 310	7.7
	-3.0m	kg	*11 760	*11 760	*17 000	13 600	*12 150	6 980	7 750	4 640	-	-	6 410	3 900	6.8
-4.5m	kg	-	-	*13 310	*13 310	*9 670	7 190	-	-	-	-	*7 590	5 460	5.5	

Notes: 1. Machine in "Fine Mode-F" (Power Boost) for lifting capacities. 2. The above loads are in compliance with SAE J1097 and ISO 10567 Hydraulic Excavator Lifting Capacity Standards. 3. Rated loads do not exceed 87% of hydraulic lifting capacity or 75% of tipping load. 4. Rated loads marked with an asterisk (\*) are limited by hydraulic capacity rather than tipping load.

## LIFTING CAPACITY ECR235EL

Lifting capacity at the arm end without bucket.

For lifting capacity including bucket, simply subtract actual weight of the direct fit bucket or the bucket with quick coupler from the following values.

	Lifting hook related to ground level	1.5 m		3.0 m		4.5 m		6.0 m		7.5 m		Max. reach		m
		Along UC	Across UC	Along UC	Across UC	Along UC	Across UC	Along UC	Across UC	Along UC	Across UC	Along UC	Across UC	
Boom : 5.7m	9.0m kg	-	-	*8 380	*8 380	-	-	-	-	-	-	*8 380	*8 380	3.1
Arm : 2.5m	7.5m kg	-	-	-	-	*6 890	*6 890	-	-	-	-	*6 680	*6 680	5.5
Shoe : 800mm	6.0m kg	-	-	-	-	*7 210	*7 210	*6 880	6 320	-	-	*6 230	5 240	6.7
CWT : 6 200kg	4.5m kg	-	-	*11 790	*11 790	*8 700	*8 700	*7 430	6 160	-	-	*6 200	4 360	7.5
Dozer blade down	3.0m kg	-	-	-	-	*10 880	9 030	*8 380	5 910	*7 220	4 250	*6 460	3 940	7.9
	1.5m kg	-	-	-	-	*12 700	8 520	*9 290	5 670	*7 610	4 140	*7 010	3 790	8.0
	0.0m kg	-	-	-	-	*13 390	8 270	*9 820	5 500	*7 790	4 060	*7 490	3 860	7.8
	-1.5m kg	-	-	*11 650	*11 650	*13 040	8 210	*9 720	5 440	-	-	*7 740	4 220	7.3
	-3.0m kg	-	-	*15 910	*15 910	*11 700	8 300	*8 660	5 500	-	-	*7 950	5 090	6.4
	-4.5m kg	-	-	*11 740	*11 740	*8 570	*8 570	-	-	-	-	*7 760	7 680	4.9
Boom : 5.7m	9.0m kg	-	-	-	-	-	-	-	-	-	-	*5 830	*5 830	4.0
Arm : 2.9m	7.5m kg	-	-	-	-	*6 150	*6 150	*4 920	*4 920	-	-	*4 830	*4 830	6.0
Shoe : 800mm	6.0m kg	-	-	-	-	*6 530	*6 530	*6 380	*6 380	-	-	*4 530	*4 530	7.2
CWT : 6 200kg	4.5m kg	-	-	*10 230	*10 230	*8 010	*8 010	*7 000	6 220	*6 170	4 370	*4 490	4 020	7.9
Dozer blade down	3.0m kg	-	-	-	-	*10 230	9 160	*8 000	5 950	*6 940	4 260	*4 650	3 660	8.3
	1.5m kg	-	-	-	-	*12 250	8 590	*9 020	5 690	*7 410	4 130	*4 990	3 530	8.4
	0.0m kg	-	-	*6 180	*6 180	*13 250	8 270	*9 680	5 490	*7 720	4 030	*5 610	3 580	8.2
	-1.5m kg	*6 750	*6 750	*10 980	*10 980	*13 190	8 170	*9 770	5 400	*7 580	3 990	*6 740	3 870	7.7
	-3.0m kg	*11 760	*11 760	*17 000	16 340	*12 150	8 220	*9 040	5 430	-	-	*7 560	4 560	6.8
	-4.5m kg	-	-	*13 310	*13 310	*9 670	8 430	-	-	-	-	*7 590	6 360	5.5
Boom : 5.76m 2-piece	9.0m kg	-	-	*9 840	*9 840	-	-	-	-	-	-	*8 670	*8 670	3.6
Arm : 2.5m	7.5m kg	-	-	*8 290	*8 290	*8 730	*8 730	-	-	-	-	*6 830	5 840	5.7
Shoe : 800mm	6.0m kg	-	-	*7 680	*7 680	*8 800	8 700	*8 660	5 450	-	-	*6 280	4 250	6.9
CWT : 6 200kg	4.5m kg	-	-	-	-	*11 340	8 250	8 520	5 280	5 930	3 690	5 710	3 550	7.7
	3.0m kg	-	-	-	-	*12 760	7 620	8 230	5 020	5 830	3 600	5 210	3 210	8.1
	1.5m kg	-	-	-	-	12 580	7 120	7 960	4 780	5 710	3 490	5 050	3 100	8.1
	0.0m kg	-	-	-	-	12 320	6 910	7 790	4 630	5 630	3 420	5 180	3 160	8.0
	-1.5m kg	-	-	*9 780	*9 780	*10 700	6 900	7 750	4 590	-	-	5 690	3 460	7.5
	-3.0m kg	-	-	-	-	*7 710	7 030	*5 820	4 690	-	-	-	-	6.6
Boom : 5.76m 2-piece	9.0m kg	-	-	*7 890	*7 890	-	-	-	-	-	-	*5 990	*5 990	4.4
Arm : 2.9m	7.5m kg	-	-	-	-	*7 010	*7 010	*5 930	5 520	-	-	*4 920	*4 920	6.3
Shoe : 800mm	6.0m kg	-	-	*6 060	*6 060	*7 010	*7 010	*7 170	5 520	-	-	*4 550	3 840	7.4
CWT : 6 200kg	4.5m kg	-	-	*9 910	*9 910	*9 130	8 390	*8 480	5 330	5 970	3 730	*4 440	3 270	8.1
	3.0m kg	-	-	-	-	*12 360	7 750	8 290	5 060	5 840	3 610	*4 520	2 980	8.5
	1.5m kg	-	-	-	-	12 670	7 190	7 990	4 800	5 700	3 490	4 690	2 870	8.5
	0.0m kg	-	-	-	-	12 320	6 910	7 780	4 620	5 600	3 390	4 800	2 920	8.4
	-1.5m kg	-	-	*9 410	*9 410	*11 330	6 840	7 710	4 550	5 580	3 370	5 210	3 160	7.9
	-3.0m kg	-	-	-	-	*8 660	6 940	*6 620	4 600	-	-	*4 660	3 730	7.1
Boom : 5.76m 2-piece	9.0m kg	-	-	*9 840	*9 840	-	-	-	-	-	-	*8 670	*8 670	3.6
Arm : 2.5m	7.5m kg	-	-	*8 290	*8 290	*8 730	*8 730	-	-	-	-	*6 830	6 710	5.7
Shoe : 800mm	6.0m kg	-	-	*7 680	*7 680	*8 800	*8 800	*8 660	6 260	-	-	*6 280	4 900	6.9
CWT : 6 200kg	4.5m kg	-	-	-	-	*11 340	9 530	*9 040	6 080	*7 290	4 280	*6 140	4 120	7.7
Dozer blade down	3.0m kg	-	-	-	-	*12 760	8 890	*9 570	5 820	*7 760	4 180	*6 280	3 740	8.1
	1.5m kg	-	-	-	-	*13 350	8 370	*9 840	5 580	*7 710	4 070	*6 680	3 620	8.1
	0.0m kg	-	-	-	-	*12 570	8 160	*9 490	5 420	*7 210	4 000	*6 450	3 700	8.0
	-1.5m kg	-	-	*9 780	*9 780	*10 700	8 150	*8 290	5 390	-	-	*5 810	4 040	7.5
	-3.0m kg	-	-	-	-	*7 710	*7 710	*5 820	5 480	-	-	-	-	6.6
Boom : 5.76m 2-piece	9.0m kg	-	-	*7 890	*7 890	-	-	-	-	-	-	*5 990	*5 990	4.4
Arm : 2.9m	7.5m kg	-	-	-	-	*7 010	*7 010	*5 930	*5 930	-	-	*4 920	*4 920	6.3
Shoe : 800mm	6.0m kg	-	-	*6 060	*6 060	*7 010	*7 010	*7 170	6 330	-	-	*4 550	4 440	7.4
CWT : 6 200kg	4.5m kg	-	-	*9 910	*9 910	*9 130	*9 130	*8 480	6 140	*6 780	4 310	*4 440	3 800	8.1
Dozer blade down	3.0m kg	-	-	-	-	*12 360	9 020	*9 360	5 870	*7 660	4 200	*4 520	3 480	8.5
	1.5m kg	-	-	-	-	*13 270	8 450	*9 770	5 600	*7 710	4 070	*4 760	3 360	8.5
	0.0m kg	-	-	-	-	*12 890	8 150	*9 610	5 410	*7 400	3 980	*5 240	3 430	8.4
	-1.5m kg	-	-	*9 410	*9 410	*11 330	8 090	*8 660	5 340	*6 370	3 960	*5 610	3 710	7.9
	-3.0m kg	-	-	-	-	*8 660	8 180	*6 620	5 400	-	-	*4 660	4 360	7.1

Notes: 1. Machine in "Fine Mode-F" (Power Boost) for lifting capacities. 2. The above loads are in compliance with SAE J1097 and ISO 10567 Hydraulic Excavator Lifting Capacity Standards. 3. Rated loads do not exceed 87% of hydraulic lifting capacity or 75% of tipping load. 4. Rated loads marked with an asterisk (\*) are limited by hydraulic capacity rather than tipping load.

# Equipment

## STANDARD EQUIPMENT

	ECR145E	ECR235E
<b>Engine</b>		
Turbocharged, 4 stroke diesel engine with water cooling, direct injection and charged air cooler that meets Tier 4f EU (Stage IV) requirements	•	•
Air filter with indicator	•	•
Air intake heater	•	•
Electric engine shut-off	•	•
Fuel filter and water separator	•	•
Standard cooling system	•	•
Fuel filler pump: 30 l/min with auto stop	•	•
Alternator, 110 A	•	•
<b>Electric/Electronic control system</b>		
<b>Contronics</b>		
Advanced mode control system	•	•
Self-diagnostic system	•	•
Machine status indication	•	•
GSM/GPS Caretrack and 3yr-Caretrack subscription	•	•
Engine speed sensing power control	•	•
Automatic idling system	•	•
One-touch power boost	•	•
Safety stop/start function	•	•
Adjustable LCD color monitor	•	•
Master electrical disconnect switch	•	•
Engine restart prevention circuit	•	•
High-capacity halogen or LED lights:		
Halogen		
Frame-mounted: 1, Boom-mounted: 2	•	•
LED		
Frame-mounted: 1, Boom-mounted: 2	•	•
Batteries, 2 x 12 V / 100 Ah	•	•
Batteries, 2 x 12 V / 150 Ah	•	•
Start motor, 24 V / 5.5 kW	•	•
<b>Hydraulic system</b>		
Boom hose rupture valve with overload warning device	•	•
Arm hose rupture valve	•	•
Automatic sensing hydraulic system		
Summation system	•	•
Boom priority	•	•
Arm priority	•	•
ECO mode fuel saving technology	•	•
Boom, arm and bucket regeneration valves	•	•
Swing anti-rebound valves	•	•
Boom and arm holding valves	•	•
Multi-stage filtering system	•	•
Boom cylinders (x2)	•	•
Cylinder cushioning	•	•
Cylinder contamination seals	•	•
Auxiliary hydraulic valve	•	•
Automatic two-speed travel motors	•	•
Hydraulic oil, longlife oil 46	•	•
<b>Frame</b>		
Access way with handrail	•	•
Tool storage area	•	•
Punched metal anti-slip plates	•	•
Under cover (heavy duty)	•	•
3 200kg counterweight	•	•
6 200kg counterweight		•

	ECR145E	ECR235E
<b>Cab and interior</b>		
ROPS (ISO12117-2) certified cab with openable roof hatch	•	•
Silicon oil and rubber mounts with spring	•	•
Control lock out lever	•	•
Travel pedals and hand levers	•	•
Adjustable operator seat with heater and joystick control console	•	•
Control joysticks with 4 switches each	•	•
Heater & air-conditioner, automatic	•	•
Flexible antenna	•	•
Radio with AUX, USB Jack and Bluetooth	•	•
Cab, all-weather sound suppressed, includes:		
Cup holders	•	•
Door locks	•	•
Tinted glass	•	•
Floor mat	•	•
Horn	•	•
Large storage area	•	•
Pull-up type front window	•	•
Removable lower windshield	•	•
Seat belt	•	•
Safety glass	•	•
Sun screens, front, roof, rear	•	•
Windshield wiper with intermittent feature	•	•
Rear view camera	•	•
Master key	•	•
<b>Undercarriage</b>		
Under cover	•	•
Hydraulic track adjusters	•	•
Greased and sealed track link	•	•
Track Guard	•	•
<b>Digging equipment</b>		
4.6m mono boom	•	•
5.7m mono boom		•
2.5m arm	•	•
2.9m arm		•
Linkage	•	•
Manual centralized lubrication	•	•
<b>Service</b>		
Tool kit, daily maintenance	•	•

## OPTIONAL EQUIPMENT

	ECR145E	ECR235E
<b>Engine</b>		
Block heater: 120 V or 240 V	•	•
Diesel coolant heater, 5 kW	•	•
Water separator with heater	•	•
Auto engine shutdown	•	•
Tropical cooling system	•	•
Reversible cooling fan	•	•
<b>Electric</b>		
Extra work lights (Halogen or LED):		
Cab-mounted 2 (front 1, rear 1)	•	•
Counterweight-mounted 1	•	•
Travel alarm	•	•
Anti-theft system	•	•
Rotating warning beacon	•	•

## OPTIONAL EQUIPMENT

	ECR145E	ECR235E
<b>Hydraulic system</b>		
Boom float function with HRV	•	•
Boom float function without HRV	•	•
Pilot control pattern change	•	•
Hydraulic piping:		
Work tool management system (up to 20 programmable memories)	•	•
Breaker & shear, 1 or 2 pump flow	•	•
Slope & rotator (40lpm or 60lpm)	•	•
Extra for slope & rotator	•	•
Grapple	•	•
Oil leak (drain) line	•	•
Quick coupler	•	•
Breaker & shear pressure pre-setting	•	•
Volvo hydraulic quick coupler S1 with hook / S1 without hook		•
Volvo hydraulic quick coupler S6 with hook / S6 without hook	•	
Volvo hydraulic quick coupler Universal U22		•
Volvo hydraulic quick coupler Universal U14	•	
Hydraulic oil, biodegradable 46	•	•
Hydraulic oil, ISO VG 46, 68	•	•
Hydraulic oil, longlife oil 32, 68	•	•
<b>Cab and interior</b>		
ROPS (ISO12117-2) certified cab with fixed hatch	•	•
Fabric seat without heater	•	•
Fabric seat with heater and air suspension	•	•
Control joysticks with semi-long	•	•

	ECR145E	ECR235E
<b>Cab and interior</b>		
Control joysticks with 3 switch & 1 proportional	•	•
Straight travel pedal	•	•
Cab-mounted falling object guard (FOG)	•	•
Cab-mounted falling object protective structure (FOPS)	•	•
Anti-vandalism kit	•	•
Safety net for front window	•	•
Side view camera	•	•
Smoker kit (ashtray and lighter)	•	•
Sunlight protection, roof (steel)	•	•
Rain shield	•	•
Specific key	•	•
<b>Undercarriage</b>		
Dozer blade	•	•
500/600/600 HD/700 HD/750mm shoe with triple grousers	•	
500mm shoe with rubber grousers	•	
600/600 HD/700/800/900mm shoe with triple grousers		•
700mm shoe with double grousers		•
600mm shoe with rubber grousers		•
Full track guard		•
<b>Digging equipment</b>		
4.72 m 2-piece boom	•	
5.76 m 2-piece boom		•
2.1 m, 3.0 m arm	•	
2.5 m arm		•
Linkage with lifting eye	•	•
<b>Service</b>		
Tool kit, compact	•	•

## Selection of Volvo optional equipment

Side view camera



Anti-vandal kit



Safety net



LED lights



Dozer blade



Two piece boom



Not all products are available in all markets. Under our policy of continuous improvement, we reserve the right to change specifications and design without prior notice. The illustrations do not necessarily show the standard version of the machine.