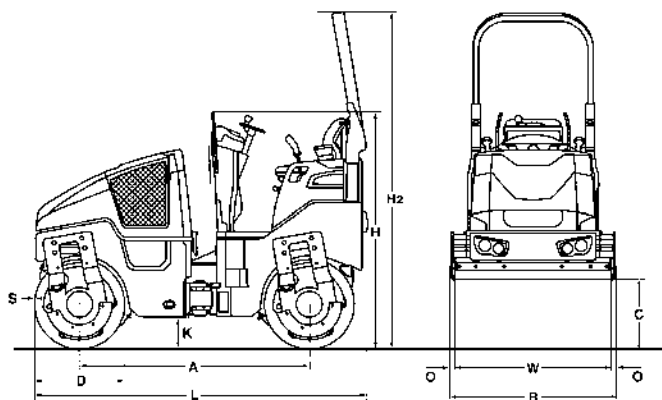


TECHNICAL DATA

TANDEM ROLLERS

BW 100 AD-5, BW 120 AD-5





Dimensions in mm

	A	B	C	D	H	H2	K	L	O	S	W
BW 100 AD-5	1752	1072	523	700	1808	2568	254	2529	36	13	1000
BW 120 AD-5	1752	1272	523	700	1808	2568	254	2529	36	13	1200

Shipping dimensions in m3

BW 100 AD-5
BW 120 AD-5

without ROPS

4,902
5,816

with ROPS

6,962
8,261

Machine type	Compaction output (m3/h) at recommended soil layer thicknesses		
	Gravel, sand	Mixed soil	Silt, clay
BW 100 AD-5	80-145	55-105	38-73
BW 120 AD-5	85-170	65-125	43-85

Machine type	Compaction output (t/h) at different asphalt layer thicknesses		
	2-4 cm	6-8 cm	10-12 cm
BW 100 AD-5	15-40	40-60	60-100
BW 120 AD-5	20-45	40-70	70-120

Technical Data**BOMAG
BW 100 AD-5****BOMAG
BW 120 AD-5****Weights**

Operating weight w. ROPS CECE	kg	2.600	2.750
Average static linear load CECE	kg/cm	13,0	11,5
Grossweight	kg	3.400	3.500

Dimensions

Working width	mm	1.000	1.200
Track radius, inner	mm	2.550	2.450

Driving Characteristics

Speed	km/h	0- 10,0	0- 10,0
Working speed with vibration	km/h	0- 10,0	0- 10,0
Max. gradeability without/with vibr.	%	40/30	40/30

Drive

Engine manufacturer		Kubota	Kubota
Type		D1803	D1803
Emission stage		Stage IV / TIER4f	Stage IV / TIER4f
Exhaust gas aftertreatment		DPF	DPF
Cooling		water	water
Number of cylinders		3	3
Performance ISO 14396	kW	24,6	24,6
Performance SAE J 1995	hp	33,0	33,0
Speed	min-1	2.600	2.600
Speed adjustment 1	min-1	2.500	2.500
Speed adjustment 2	min-1	2.600	2.600
Electric equipment	V	12	12
Driven drum		front + rear	front + rear

Brakes

Service brake		hydrost.	hydrost.
Parking brake		hydromec.	hydromec.

Steering

Steering system		oscil.artic.	oscil.artic.
Steering method		hydrost.	hydrost.
Steering / oscillating angle +/-	grad	32/10	32/10
Crab walk		0- 50	0- 50

Exciter system

Vibrating drum		front + rear	front + rear
Drive system		hydrost.	hydrost.
Frequency	Hz	63/67	63/67
Amplitude	mm	0,50	0,50
Centrifugal force	kN	30/34	36/41

Sprinkler System

Type of sprinkling		pressure	pressure
--------------------------	--	----------	----------

Capacities

Fuel	l	35,0	35,0
Water	l	205,0	205,0

Technical modifications reserved. Machines may be shown with options.

Standard Equipment

- Hydrostatic travel and vibration drive
- Pressure sprinkler system with interval switch
- 2 scrapers per drum, spring loaded and tiltable
- Multi function travel lever
- Multi-function display incl. operating hour meter
- Water level
- electronic fuel gauge
- Emergency STOP
- Individual control, vibration
- Intelligent Vibration Control (IVC)
- Integrated stowage compartment
- Adjustable operator's seat
- Lashing eyes, galvanized
- Back-up alarm
- Single point lifting device
- Vandalism protection
- Lockable engine hood made of composite material
- Working lights front and rear
- 12V socket
- Seat contact switch

Optional Equipment

- * Foldable ROPS incl. seat belt
- Edge cutter-right/left
- Sliding seat incl. double travel lever
- Gravel scrapper
- Battery disconnect switch
- Indicator and hazard lights
- Rotary beacon
- Optional lighting on ROPS
- Sun roof, foldable with ROPS
- Weather protection for sun roof
- Special painting
- Seat heating
- Backup warning buzzer with broadband technology
- Flow divider
- Environmentally compliant hydraulic oil
- Theft protection
- BOMAG TELEMATIC
- ECONOMIZER
- Asphalt temperature display

* Standard delivery with CE conformity
(valid within European Union)

