

# TECHNICAL DATA

ENGINE	6MDX	9MDX
Turbo charged engine with intercooler, EGR valve and Diesel Particulate Filter (DPF, Passive Regeneration), complying with regulation	EU Stage V* U.S. EPA Tier 4 Final*	EU Stage V* U.S. EPA Tier 4 Final*
Diesel 4 in-line cylinders	Perkins® Syncro	Perkins® Syncro
Horsepower (DIN 70020)	55 kW (74hp)	55 kW (74hp)
Engine speed	2300 rpm	2300 rpm
Maximum torque	424 Nm at 1200 rpm (313 ft.lbf at 1200 rpm)	424 Nm at 1200 rpm (313 ft.lbf at 1200 rpm)
Cubic capacity	3600 cm³ (220 in³)	3600 cm³ (220 in³)
Cooling	water	water
Air filter, cyclonic, dry, cartridge	•	•
Fuel tank capacity	65 L	65 L

\*According to National regulation - (Environmental Protection Agency (EPA))

TRANSMISSION	6MDX	9MDX
Type	Powershuttle via transfer box to front & rear axles	
Drive	4 / 4 Forward and Reverse - Permanent 4WD	
Electronically controlled travel direction control on steering column	•	•
Tyre Size	405-70-20 14PR	500-60-22.5 16PR
Maximum Speed	24 km/h (15 mph)	24 km/h (15 mph)
Gradeability (Defined by maximum safe working angle)	25%	20%

SKIP CAPACITY	6MDX		9MDX	
Payload	6000 kg (13,228 lb)		9000 kg (19,842 lb)	
Volume:	Straight	Swing	Straight	Swing
- Water	1830 l	1580 l	2014 l	1902 l
- Struck	2680 l	2399 l	3775 l	3318 l
- Heaped	3740 l	3085 l	4573 l	4096 l

MACHINE WEIGHT	6MDX	9MDX
In running order, with 75 kg (165 lb) operator, fuel tank full		
- Straight Skip, Glazed Cabin	4775 kg (10,527 lb)*	5495 kg (12,114 lb)*
- Swing Skip, Glazed Cabin	4995 kg (11,012 lb)*	5835 kg (12,863 lb)*

\* Specifications are subject to change

HYDRAULIC SYSTEM	6MDX	9MDX
Pump Type		Gear
Flow Rate		65 l/min
Operating Pressure	172 bar (2495 psi)	210 bar (3045 psi)
Steering System	Orbitrol hydrostatic steering unit powering a central hydraulic steering cylinder	

BRAKE SYSTEM	6MDX	9MDX
Working Brake	Hydraulic boosted foot Brake - Oil immersed discs on front/rear	
Parking Brake	Over centre parking brake - Dry disc on gearbox	

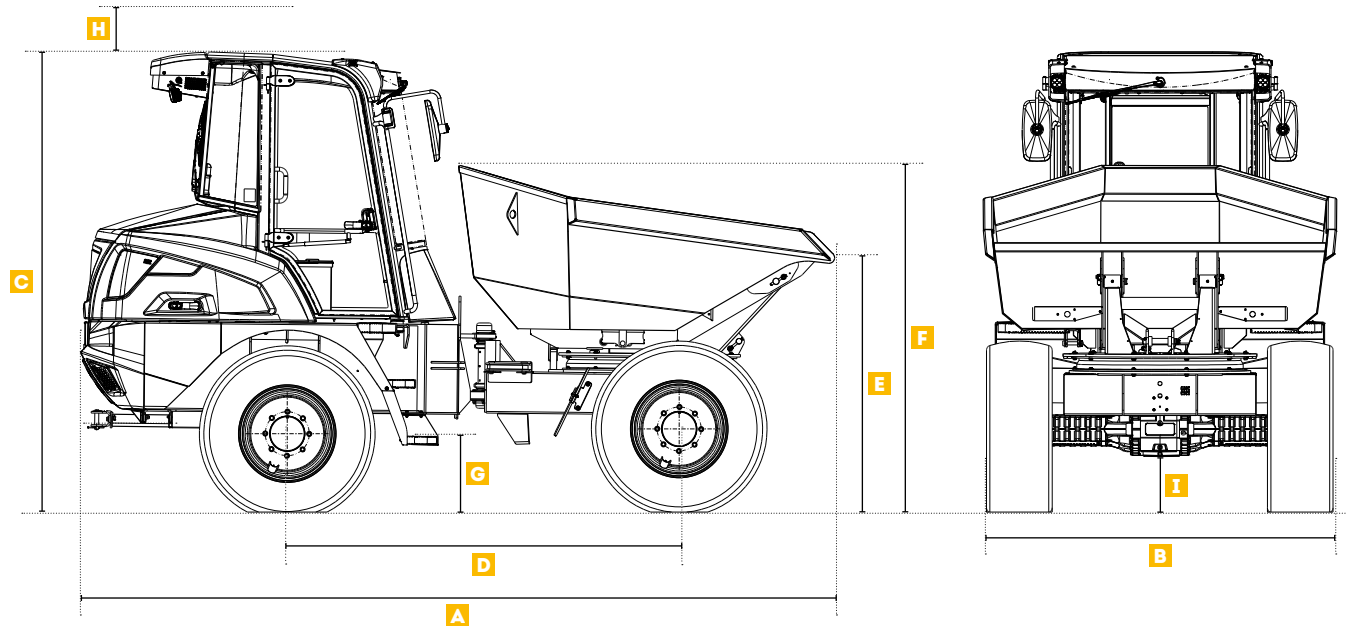
ENVIRONMENTAL	6MDX	9MDX
Sound power level (LWA <sub>d</sub> )		101 dB
Noise Compliance	Noise - Equipment used outdoors directive 2000/14/EC	
Hand Arm Vibration (Defined by EN474-1 for all operations)	<2.5 m/s <sup>2</sup>	
Whole body vibration (Defined by ISO/TR25398 for a work cycle)	0.529 (0.264 m/s <sup>2</sup> uncertainty)	

**NOTE**

METRIC MEASUREMENTS ARE THE CRITICAL VALUES

- 1 Litre = 0.26417 US Liquid Gallons
- 1 Litre = 0.21997 Imperial Liquid Gallons

## TECHNICAL DATA



MACHINE DIMENSIONS	6MDX		9MDX	
	STRAIGHT mm (ft in)	SWING mm (ft in)	STRAIGHT mm (ft in)	SWING mm (ft in)
<b>A</b> Overall length	4452 (14'7")	4710 (15'5")	4585 (15'1")	4734 (15'6")
<b>B</b> Overall width	2300 (7'7")	2211 (7'3")	2502 (8'3")	2364 (7'9")
<b>C</b> Overall height	2875 (9'5")	2875 (9'5")	3384 (11'1")	3384 (11'1")
<b>D</b> Wheelbase	2450 (8')	2450 (8')	2450 (8')	2450 (8')
<b>E</b> Height to skip lip	1546 (5'1")	1690 (5'7")	1682 (5'6")	1827 (5'11")
<b>F</b> Height to back of skip	1998 (6'7")	2167 (7'1")	2292 (7'6")	2483 (8'2")
<b>G</b> Height to first step	472 (1'7")	472 (1'7")	509 (1'8")	509 (1'8")
<b>H</b> Additional height for beacon	140 (5.5")	140 (5.5")	140 (5.5")	140 (5.5")
<b>I</b> Ground Clearance	347 (1'2")	347 (1'2")	396 (1'4")	396 (1'4")